

# TEM

TEM Teknik Elektrik Malzemeleri San ve Tic A.Ş

Power connection  
solutions



# Industrial Catalog 2024

# CONTENTS

- **Monophase Sockets**

Monophase Sockets	2
Din Rail Sockets	3
Rubber Plug & Sockets	4 - 6

- **Cee Norm Plug & Sockets**

Cee Norm Plug & Sockets	7 - 39
Multiplier Sockets	40
Interlock Sockets	41-43

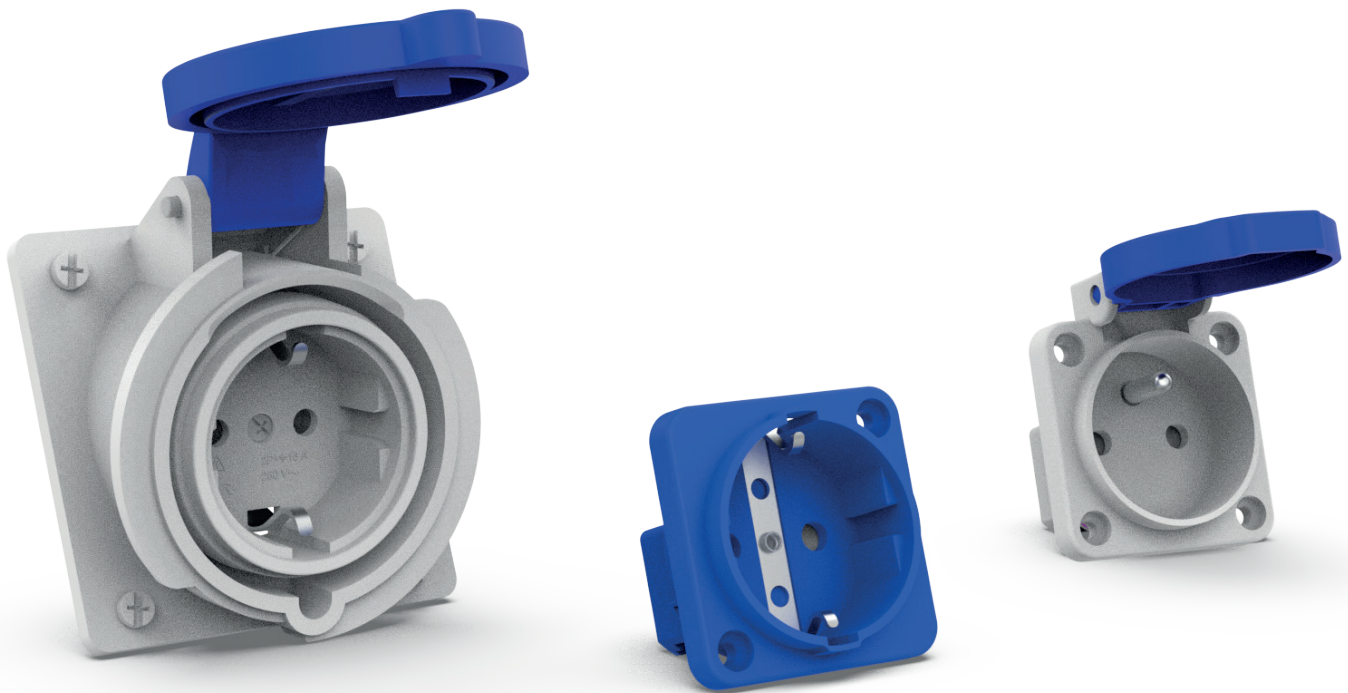
- **Combination Boxes** 44 - 58

- **Cable Reels** 59 - 65

- **Thermoplastic Enclosures** 66 - 68

- **Distribution Boards** 69 - 84

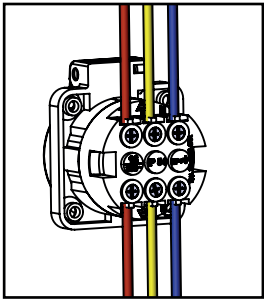
## Monophase Sockets



- Heat resistance level is V2.
- It qualified by IEC 60309-1 and IEC 60695-2-1 standards.
- Installation temprature in minimum is -25 °C and in maximum is +60 °C.

# Monophase Panel Sockets

## ● Double Terminal



16A  
200-250V  
2P  
IP 54  
50.5 gr.  
AB

**Schuko Type Panel Socket**  
215.310.212.001.6

16A  
200-250V  
2P  
IP 54  
50.5 gr.  
AB

**French Type Panel Socket**  
215.351.212.101.8

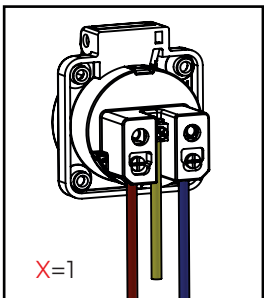
16A  
200-250V  
2P  
IP 54  
50.5 gr.  
AB

**UPS Type Panel Socket**  
215.320.212.001.2

16A  
200-250V  
2P  
IP 54  
50.5 gr.  
AB

**Schuko Type Panel Socket**  
212.310.210.001.6

## ● Single Terminal

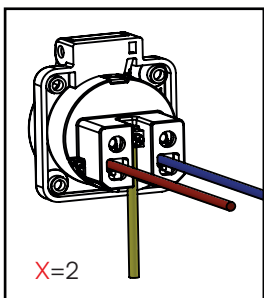


16A  
200-250V  
2P  
IP 54  
50.5 gr.  
AB

**Schuko Type Panel Socket**  
215.310.112.001.6.X

16A  
200-250V  
2P  
IP 54  
50.5 gr.  
AB

**French Type Panel Socket**  
215.351.112.001.2.X



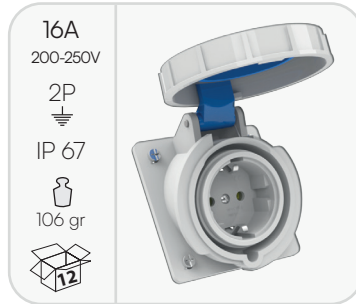
16A  
200-250V  
2P  
IP 54  
50.5 gr.  
AB

**Schuko Type Panel Socket**  
212.310.110.001.8.X

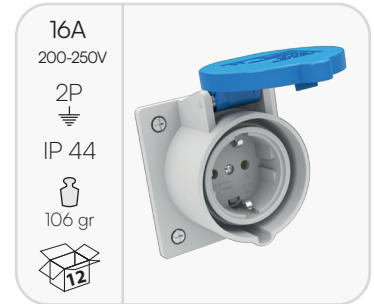
# Monophase Sockets



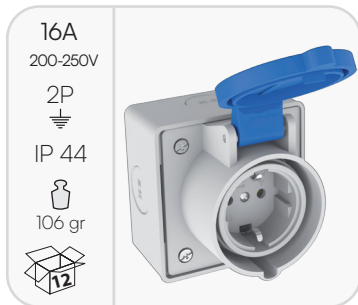
**Panel Mounting Socket**  
440.116.160



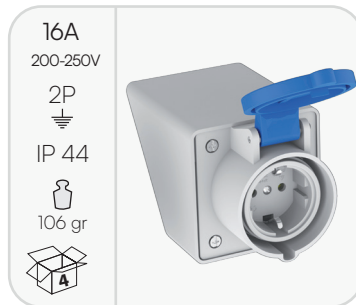
**Panel Mounting Socket**  
670.116.160



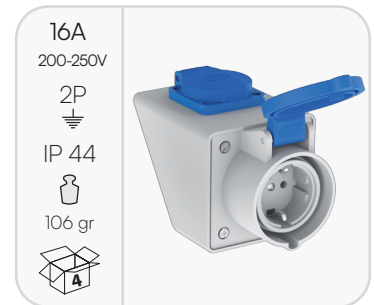
**Panel Mounting Socket**  
440.116.150



**Wall Mounting Socket with  
Stright Box**  
440.116.151



**Wall Mounting Socket with  
Angled Box**  
440.116.152



**Wall Mounting Socket with  
Angled Box + Schuko Socket**  
440.116.153

# Din Rail Socket



**Din Rail Schuko Socket without Led**  
272.313.110.001



**Din Rail UPS Socket without Led**  
272.323.110.001



**Din Rail French Socket without Led**  
272.353.110.001



**Din Rail Schuko Socket**  
272.313.110.011



**Din Rail UPS Socket**  
272.323.110.011



**Din Rail French Socket with LED**  
272.353.110.011

# Monophase Rubber Plug & Sockets



**UPS Plug**  
215.316.300



**Rubber Plug**  
215.116.301



**Plug**  
Schuko - 215.116.300  
UPS - 215.316.300



**Angled Plug**  
Schuko - 215.116.320  
Ups - 215.316.300



**Movable Socket**  
Schuko - 215.116.200  
UPS - 215.316.200  
French - 215.516.200



**Single Way Socket**  
Schuko - 215.116.101  
UPS - 215.316.101  
French - 215.516.101



**2 Way Group Socket**  
Schuko - 215.116.102  
UPS - 215.316.102  
French - 215.516.102



**3 Way Group Socket**  
Schuko - 215.116.103  
UPS - 215.316.103  
French - 215.516.103



**4 Way Group Socket**  
Schuko - 215.116.104  
UPS - 215.316.104  
French - 215.516.104

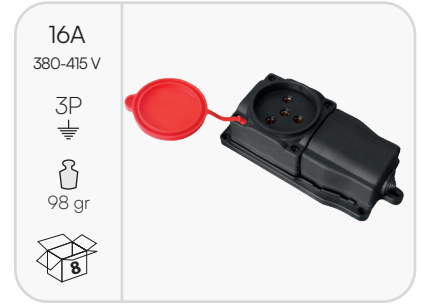
# Three Phase 4x25 Rubber Plug & Sockets



**Plug**  
540.425.300



**Movable Socket**  
540.425.200



**Single Wall Socket**  
540.425.110



**1 Pcs Three-phase + 1 Pcs. Monophase Group Socket**  
540.425.111



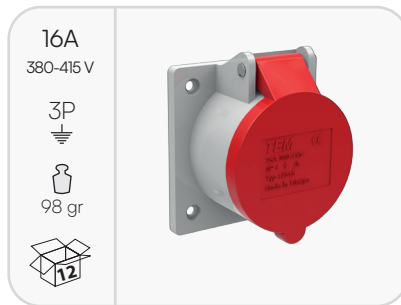
**2 Pcs Three-phase + 1Ad. Monophase Group Socket**  
540.425.121



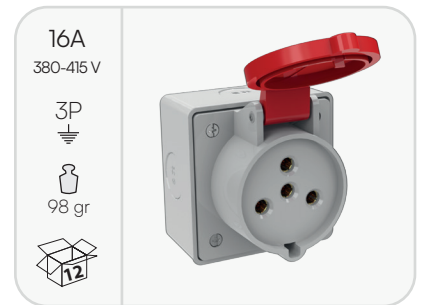
**1 Pcs Three-phase + 2 Pcs Monophase Group Socket**  
540.425.112



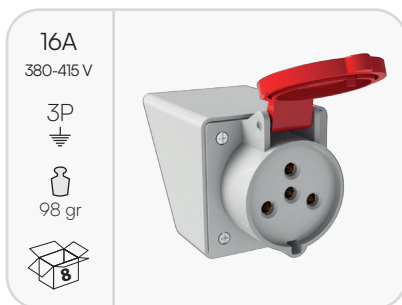
**3 Pcs Three-phase Group Socket**  
540.425.130



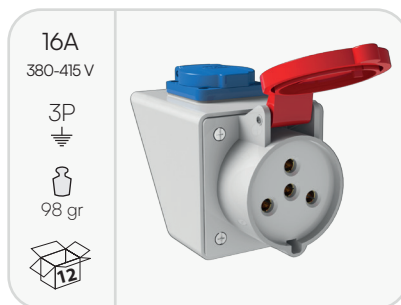
**Panel Socket**  
540.425.150



**Straight Box Wall Socket**  
540.425.151



**Angled Box Wall Socket**  
540.425.152



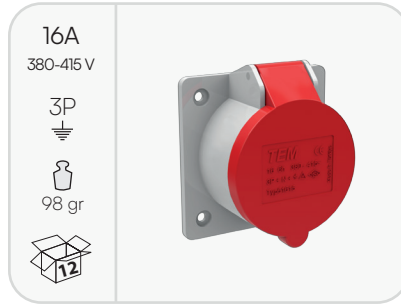
**Angled Box Wall Socket + Monophase Panel Socket**  
540.425.153

## Three Phase 3x16 Rubber Plug & Sockets



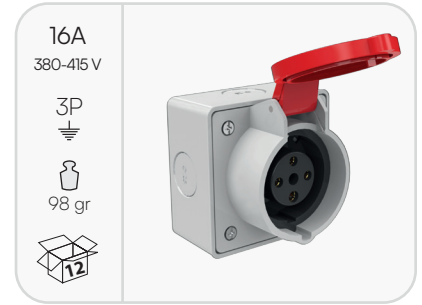
**Plug**

544.316.300



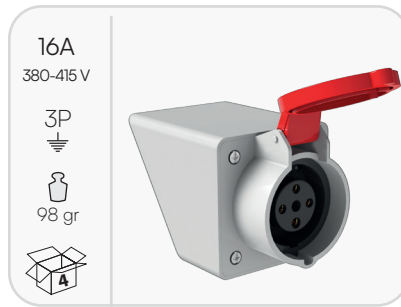
**Panel Socket**

544.316.150



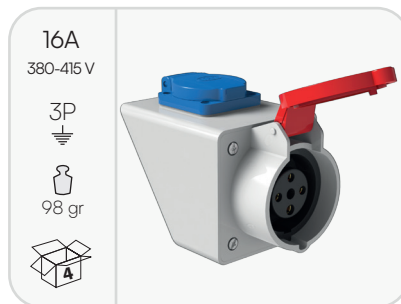
**Straight Box Wall Socket**

544.316.151



**Angled Box Wall Socket**

544.316.152



**Angled Box Wall Socket  
+ Monophase Panel Socket**

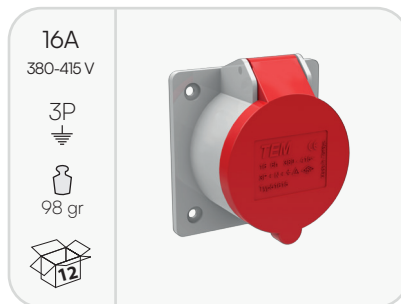
544.316.153

## Three Phase 3x32 Rubber Plug & Sockets



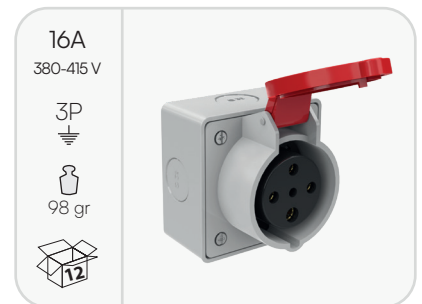
**Plug**

544.332.300



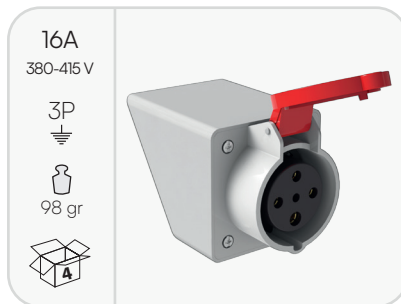
**Panel Socket**

544.332.150



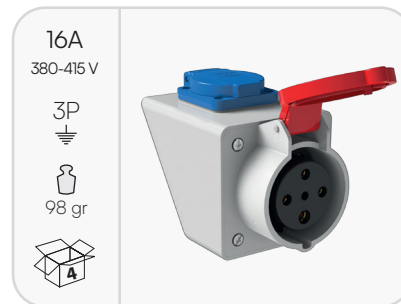
**Straight Box Wall Socket**

544.332.151



**Angled Box Wall Socket**

544.332.152



**Angled Box Wall Socket  
+ Monophase Panel Socket**

544.332.153



## Cee Norm Plug & Sockets

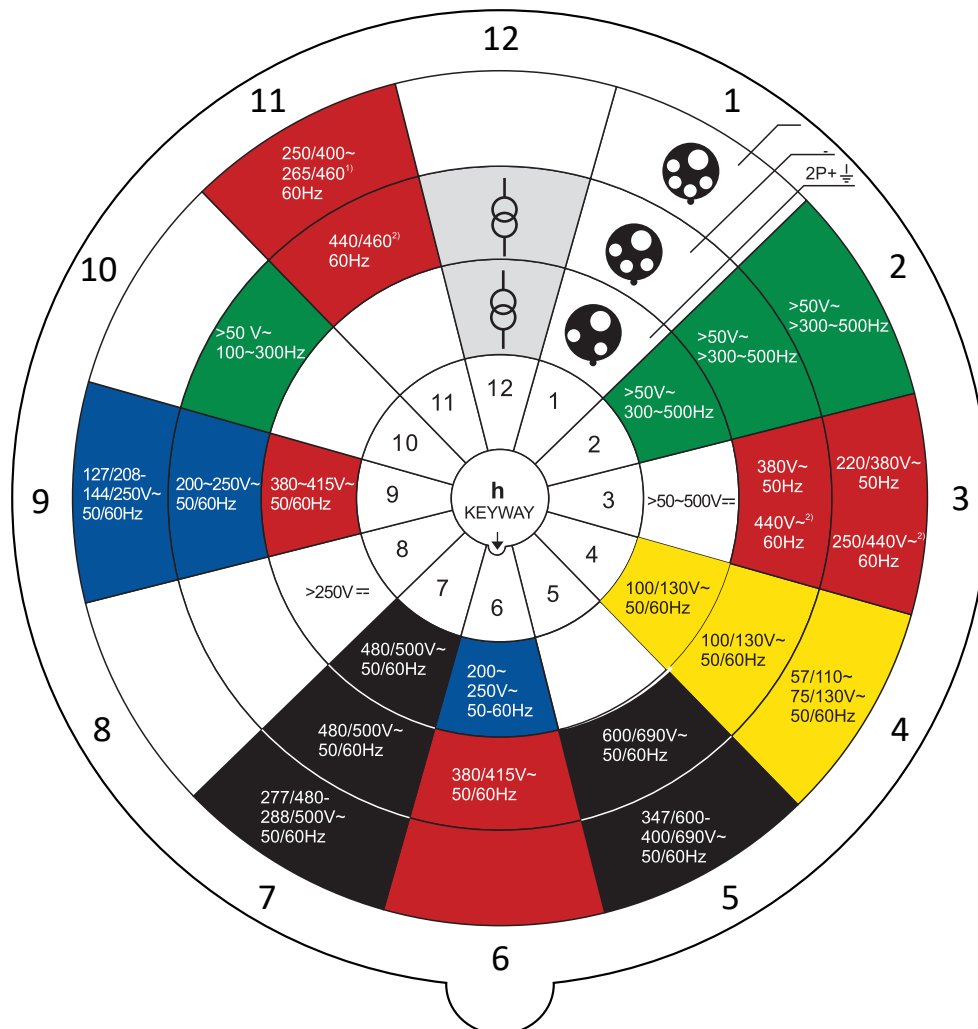


- All TEM CEE Norm Plug & Sockets are manufactured in compliance with the national and international regulations in force with good quality component parts guarantee the safety.
- Different execution styles (wall mounting, panel mounting, angled, straight, with box) are available like high protection degrees (IP 44 AND IP 67) and different nominal currents (16A, 32A, 63A ).

# Clock Face Earth Position

Connection safety system that allows to open and close the current once its inserted or the plug is pulled. The pilot contact is an auxiliary contact for levels of current from 63A-125A.

Plugs are provided, including pilot contact, but the sockets only under demand



In order to recognize earth pin, you just have to look frontally at the socket and put the major keyway at 6 o'clock. In this way it is easy to identify the earth pin, Wich is always bigger that the others.

Some examples:




- h3, Refrigerated container
- h4, Especific voltages
- h6, Stantard use
- h7, Especific voltages
- h11, Marine instalation

- All TEM CEE Norm Plug & Sockets are manufactured in compliance with the national and international regulations in force with good quality component parts guarantee the safety.
- Different execution styles (wall mounting, panel mounting, angled, straight, with box) are available like high protection degrees (IP 44 AND IP 67) and different nominal currents (16A, 32A, 63A ).

## Product Code architecture

IP	Hours(H).	Pole	A.	Plug / Socket	Type
44	3	3	16	2(Socket)	00 Movable Socket
67	4	4	32	3(Plug)	80 Panel Socket
	5	5	63		81 Wall Socket
	6				82 Angled Wall Socket
	8				50 Angled Panel Sockets
	9				
	10				

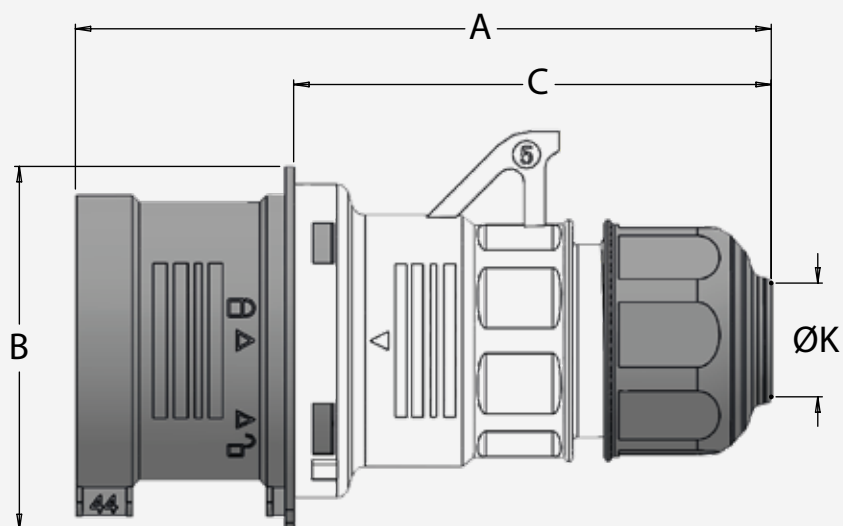
## Product Example


IP	Hours(H).	Pole	A	Plug / Socket	Type	
44	6.	5	32.	3	00	
44	6.	3	16.	2	80	
67	6.	4	32.	2	50	

# IP44 | Movable Plug



	16A			32A			63A	
	3P	4P	5P	3P	4P	5P	4P	5P
A	126	126	136	145	145	145	224	224
B	58	63	75	69	69	78	75	75
C	87	87	96	96	96	96	154	154
ØK	5-16	5-16	10-22	10-22	10-22	10-22	10-22	10-22
Connection type	Screw terminals							
Wire flexible (mm)	1 - 2,5			2,5 - 6			2,5 - 6	
Weight (g)	95	95	95	95	95	95	95	95



	Code	Pole	I(A)	h	Hz	Voltage	
	444.316.300	3 (2P+E)	16	4	50-60 ~	110-130	12
	444.332.300	3 (2P+E)	32	4	50-60 ~	110-130	12
	444.416.300	4 (3P+E)	16	4	50-60 ~	110-130	12
	444.432.300	4 (3P+E)	32	4	50-60 ~	110-130	12
	444.516.300	5 (3P+N+E)	16	4	50-60 ~	110-130	12
	444.532.300	5 (3P+N+E)	32	4	50-60 ~	110-130	12
	446.316.300	3 (2P+E)	16	6	50-60 ~	200-250	12
	446.332.300	3 (2P+E)	32	6	50-60 ~	200-250	12
	446.416.300	4 (3P+E)	16	6	50-60 ~	380-415	12
	446.432.300	4 (3P+E)	32	6	50-60 ~	380-415	12
	446.463.300	4 (3P+E)	63	6	50-60 ~	380-415	12
	446.516.300	5 (3P+N+E)	32	6	50-60 ~	380-415	12
	446.532.300	5 (3P+N+E)	32	6	50-60 ~	380-415	12
	446.563.300	5 (3P+N+E)	63	6	50-60 ~	380-415	12
<b>Container Series</b>	443.416.300	4 (3P+E)	16	3	50-60 ~	380-440	12
	443.432.300	4 (3P+E)	32	3	50-60 ~	440	12
	445.416.300.S	4 (3P+E)	16	5	50-60 ~	600-690	12
	445.432.300.S	4 (3P+E)	32	5	50-60 ~	600-690	12
	445.516.300.S	5 (3P+N+E)	16	5	50-60 ~	600-690	12
	445.532.300.S	5 (3P+N+E)	32	5	50-60 ~	600-690	12
<b>Light and Sound Systems</b>	446.316.300.S	3 (2P+E)	16	6	50-60 ~	200-250	12
	446.332.300.S	3 (2P+E)	32	6	50-60 ~	200-250	12
	446.416.300.S	4 (3P+E)	16	6	50-60 ~	380-415	12
	446.432.300.S	4 (3P+E)	32	6	50-60 ~	380-415	12
	446.463.300.S	4 (3P+E)	63	6	50-60 ~	380-415	12
	446.516.300.S	5 (3P+N+E)	32	6	50-60 ~	380-415	12
	446.532.300.S	5 (3P+N+E)	32	6	50-60 ~	380-415	12
	446.563.300.S	5 (3P+N+E)	63	6	50-60 ~	380-415	12
	447.316.300	3 (2P+E)	16	7	50-60 ~	480-500	12
	447.332.300	3 (2P+E)	32	7	50-60 ~	480-500	12
	447.416.300	4 (3P+E)	16	7	50-60 ~	480-500	12
	447.432.300	4 (3P+E)	32	7	50-60 ~	480-500	12
	447.516.300	5 (3P+N+E)	16	7	50-60 ~	480-500	12
	447.532.300	5 (3P+N+E)	16	7	50-60 ~	480-500	12
	449.316.300	3 (2P+E)	16	9	50-60 ~	380-415	12
	449.332.300	3 (2P+E)	32	9	50-60 ~	380-415	12
	449.416.300	4 (3P+E)	16	9	50-60 ~	200-250	12
	449.432.300	4 (3P+E)	32	9	50-60 ~	200-250	12
	449.516.300	5 (3P+N+E)	16	9	50-60 ~	200-250	12
	449.532.300	5 (3P+N+E)	16	9	50-60 ~	200-250	12
	4410.316.300	3 (2P+E)	16	10	100-300 ~	50	12
	4410.332.300	3 (2P+E)	32	10	100-300 ~	50	12
	4410.416.300	4 (3P+E)	16	10	100-300 ~	50	12
	4410.432.300	4 (3P+E)	32	10	100-300 ~	50	12
	4410.516.300	5 (3P+N+E)	16	10	100-300 ~	50	12
	4410.532.300	5 (3P+N+E)	32	10	100-300 ~	50	12

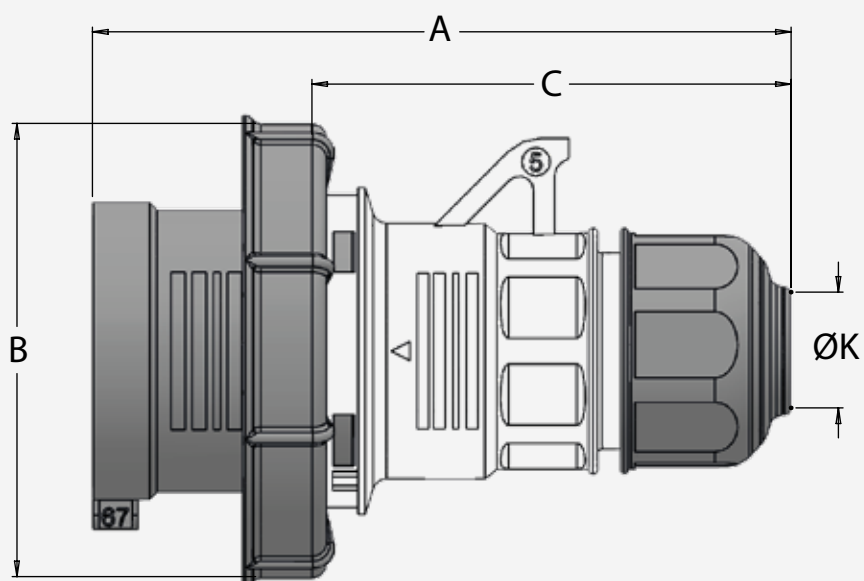
**MOVABLE PLUG**


**IP 44**

# IP67 | Movable Plug



	16A			32A			63A	
	3P	4P	5P	3P	4P	5P	4P	5P
A	126	126	136	145	145	145	224	224
B	68	77	86	69	91	97	104	104
C	84	84	94	93	93	96	154	154
ØK	5-16	5-16	10-22	10-22	10-22	10-22	10-22	10-22
Connection type	Screw terminals							
Wire flexible (mm)	1 - 2,5			2,5 - 6			2,5 - 6	
Weight (g)	95	95	95	95	95	95	95	95



Code	Pole	I(A)	h	Hz	Voltage	
674.316.300	3 (2P+E)	16	4	50-60 ~	110-130	12
674.332.300	3 (2P+E)	32	4	50-60 ~	110-130	12
674.416.300	4 (3P+E)	16	4	50-60 ~	110-130	12
674.432.300	4 (3P+E)	32	4	50-60 ~	110-130	12
674.516.300	5 (3P+N+E)	16	4	50-60 ~	110-130	12
674.532.300	5 (3P+N+E)	32	4	50-60 ~	110-130	12
676.316.300	3 (2P+E)	16	6	50-60 ~	200-250	12
676.332.300	3 (2P+E)	32	6	50-60 ~	200-250	12
676.416.300	4 (3P+E)	16	6	50-60 ~	380-415	12
676.432.300	4 (3P+E)	32	6	50-60 ~	380-415	12
676.463.300	4 (3P+E)	63	6	50-60 ~	380-415	12
676.516.300	5 (3P+N+E)	32	6	50-60 ~	380-415	12
676.532.300	5 (3P+N+E)	32	6	50-60 ~	380-415	12
676.563.300	5 (3P+N+E)	63	6	50-60 ~	380-415	12
673.416.300	4 (3P+E)	16	3	50-60 ~	380-440	12
673.432.300	4 (3P+E)	32	3	50-60 ~	440	12
675.416.300.S	4 (3P+E)	16	5	50-60 ~	600-690	12
675.432.300.S	4 (3P+E)	32	5	50-60 ~	600-690	12
675.516.300.S	5 (3P+N+E)	16	5	50-60 ~	600-690	12
675.532.300.S	5 (3P+N+E)	32	5	50-60 ~	600-690	12
676.316.300.S	3 (2P+E)	16	6	50-60 ~	200-250	12
676.332.300.S	3 (2P+E)	32	6	50-60 ~	200-250	12
676.416.300.S	4 (3P+E)	16	6	50-60 ~	380-415	12
676.432.300.S	4 (3P+E)	32	6	50-60 ~	380-415	12
676.463.300.S	4 (3P+E)	63	6	50-60 ~	380-415	12
676.516.300.S	5 (3P+N+E)	32	6	50-60 ~	380-415	12
676.532.300.S	5 (3P+N+E)	32	6	50-60 ~	380-415	12
676.563.300.S	5 (3P+N+E)	63	6	50-60 ~	380-415	12
677.316.300	3 (2P+E)	16	7	50-60 ~	480-500	12
677.332.300	3 (2P+E)	32	7	50-60 ~	480-500	12
677.416.300	4 (3P+E)	16	7	50-60 ~	480-500	12
677.432.300	4 (3P+E)	32	7	50-60 ~	480-500	12
677.516.300	5 (3P+N+E)	16	7	50-60 ~	480-500	12
677.532.300	5 (3P+N+E)	16	7	50-60 ~	480-500	12
679.316.300	3 (2P+E)	16	9	50-60 ~	380-415	12
679.332.300	3 (2P+E)	32	9	50-60 ~	380-415	12
679.416.300	4 (3P+E)	16	9	50-60 ~	200-250	12
679.432.300	4 (3P+E)	32	9	50-60 ~	200-250	12
679.516.300	5 (3P+N+E)	16	9	50-60 ~	200-250	12
679.532.300	5 (3P+N+E)	16	9	50-60 ~	200-250	12
6710.316.300	3 (2P+E)	16	10	100-300 ~	50	12
6710.332.300	3 (2P+E)	32	10	100-300 ~	50	12
6710.416.300	4 (3P+E)	16	10	100-300 ~	50	12
6710.432.300	4 (3P+E)	32	10	100-300 ~	50	12
6710.516.300	5 (3P+N+E)	16	10	100-300 ~	50	12
6710.532.300	5 (3P+N+E)	32	10	100-300 ~	50	12

Container Series

Light and Sound Systems

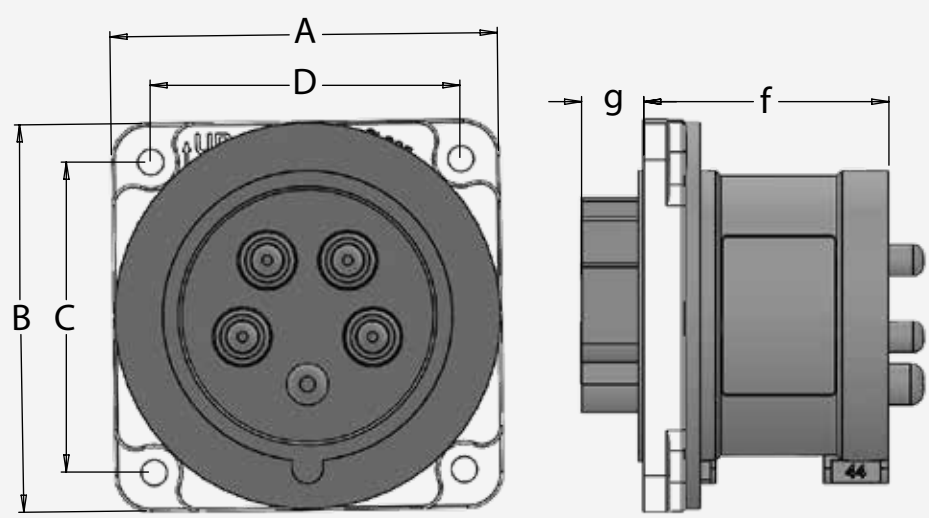
MOVABLE PLUG

IP 67

# IP44 | Panel Plug



	16A			32A		
	3P	4P	5P	3P	4P	5P
A	75	75	75	75	75	75
B	75	75	75	75	75	75
C	60	60	60	60	60	60
D	60	60	60	60	60	60
g	10	10	10	10	10	10
f	47	47	47	57	57	57
Connection type	Screw terminals					
Wire flexible (mm)	1 - 2,5			2,5 - 6		
Weight (g)	95	95	95	95	95	95







Code	Pole	I(A)	h	Hz	Voltage	
444.316.380	3 (2P+E)	16	4	50-60 ~	110-130	12
444.332.380	3 (2P+E)	32	4	50-60 ~	110-130	12
444.416.380	4 (3P+E)	16	4	50-60 ~	110-130	12
444.432.380	4 (3P+E)	32	4	50-60 ~	110-130	12
444.516.380	5 (3P+N+E)	16	4	50-60 ~	110-130	12
444.532.380	5 (3P+N+E)	32	4	50-60 ~	110-130	12
446.316.380	3 (2P+E)	16	6	50-60 ~	200-250	12
446.332.380	3 (2P+E)	32	6	50-60 ~	200-250	12
446.416.380	4 (3P+E)	16	6	50-60 ~	380-415	12
446.432.380	4 (3P+E)	32	6	50-60 ~	380-415	12
446.516.380	5 (3P+N+E)	16	6	50-60 ~	380-415	12
446.532.380	5 (3P+N+E)	32	6	50-60 ~	380-415	12
443.416.380	4 (3P+E)	16	3	50-60 ~	380-440	12
443.432.380	4 (3P+E)	32	3	50-60 ~	440	12
445.416.380.S	4 (3P+E)	16	5	50-60 ~	600-690	12
445.432.380.S	4 (3P+E)	32	5	50-60 ~	600-690	12
445.516.380.S	5 (3P+N+E)	16	5	50-60 ~	600-690	12
445.532.380.S	5 (3P+N+E)	32	5	50-60 ~	600-690	12
446.316.380.S	3 (2P+E)	16	6	50-60 ~	200-250	12
446.332.380.S	3 (2P+E)	32	6	50-60 ~	200-250	12
446.416.380.S	4 (3P+E)	16	6	50-60 ~	380-415	12
446.432.380.S	4 (3P+E)	32	6	50-60 ~	380-415	12
446.516.380.S	5 (3P+N+E)	16	6	50-60 ~	380-415	12
446.532.380.S	5 (3P+N+E)	32	6	50-60 ~	380-415	12
447.316.380	3 (2P+E)	16	7	50-60 ~	480-500	12
447.332.380	3 (2P+E)	32	7	50-60 ~	480-500	12
447.416.380	4 (3P+E)	16	7	50-60 ~	480-500	12
447.432.380	4 (3P+E)	32	7	50-60 ~	480-500	12
447.516.380	5 (3P+N+E)	16	7	50-60 ~	480-500	12
447.532.380	5 (3P+N+E)	16	7	50-60 ~	480-500	12
449.316.380	3 (2P+E)	16	9	50-60 ~	380-415	12
449.332.380	3 (2P+E)	32	9	50-60 ~	380-415	12
449.416.380	4 (3P+E)	16	9	50-60 ~	200-250	12
449.432.380	4 (3P+E)	32	9	50-60 ~	200-250	12
449.516.380	5 (3P+N+E)	16	9	50-60 ~	200-250	12
449.532.380	5 (3P+N+E)	16	9	50-60 ~	200-250	12
4410.316.380	3 (2P+E)	16	10	100-300 ~	50	12
4410.332.380	3 (2P+E)	32	10	100-300 ~	50	12
4410.416.380	4 (3P+E)	16	10	100-300 ~	50	12
4410.432.380	4 (3P+E)	32	10	100-300 ~	50	12
4410.516.380	5 (3P+N+E)	16	10	100-300 ~	50	12
4410.532.380	5 (3P+N+E)	32	10	100-300 ~	50	12

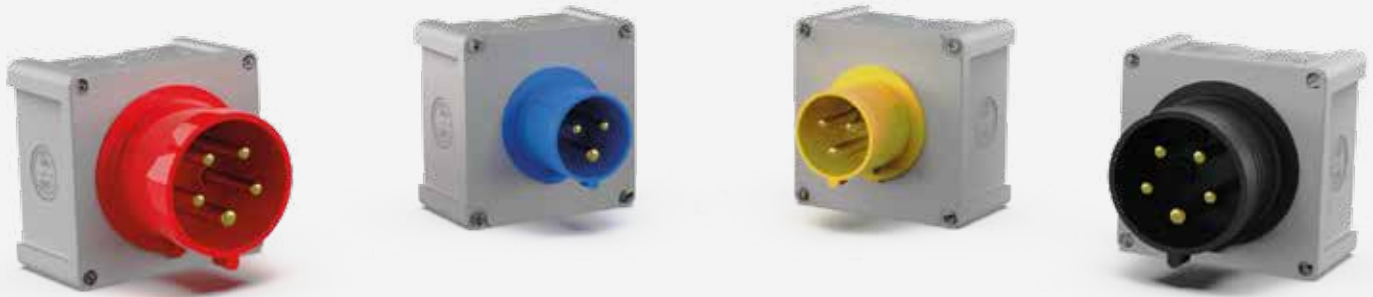
Konteyner Serisi

Işık ve Ses Sistemleri

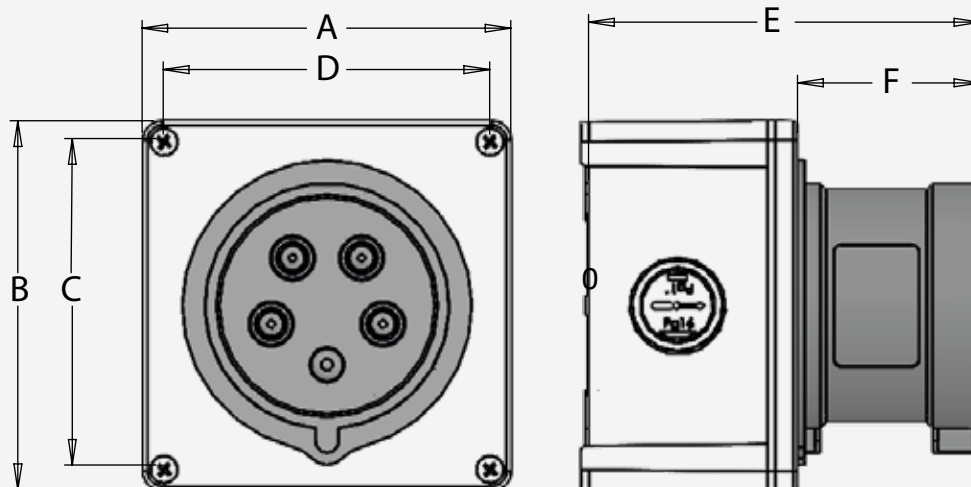
PANEL PLUG


IP 44

# IP44 | Straight Wall Plug



	16A			32A		
	3P	4P	5P	3P	4P	5P
A	95	95	95	95	95	95
B	95	95	95	95	95	95
C	84	84	84	84	84	84
D	84	84	84	84	84	84
e	95	95	95	105	105	105
f	39	39	39	49	49	49
Connection type	Screw terminals					
Wire flexible (mm)	1 - 2,5			2,5 - 6		
Weight (g)	95	95	95	95	95	95



	Code	Pole	I(A)	h	Hz	Voltage	
	444.316.381	3 (2P+E)	16	4	50-60 ~	110-130	10
	444.332.381	3 (2P+E)	32	4	50-60 ~	110-130	5
	444.416.381	4 (3P+E)	16	4	50-60 ~	110-130	10
	444.432.381	4 (3P+E)	32	4	50-60 ~	110-130	5
	444.516.381	5 (3P+N+E)	16	4	50-60 ~	110-130	10
	444.532.381	5 (3P+N+E)	32	4	50-60 ~	110-130	5
	446.316.381	3 (2P+E)	16	6	50-60 ~	200-250	10
	446.332.381	3 (2P+E)	32	6	50-60 ~	200-250	5
	446.416.381	4 (3P+E)	16	6	50-60 ~	380-415	10
	446.432.381	4 (3P+E)	32	6	50-60 ~	380-415	5
	446.516.381	5 (3P+N+E)	16	6	50-60 ~	380-415	10
	446.532.381	5 (3P+N+E)	32	6	50-60 ~	380-415	5
Container Series	443.416.381	4 (3P+E)	16	3	50-60 ~	380-440	10
	443.432.381	4 (3P+E)	32	3	50-60 ~	440	5
Light and Sound Systems	445.416.381.S	4 (3P+E)	16	5	50-60 ~	600-690	10
	445.432.381.S	4 (3P+E)	32	5	50-60 ~	600-690	5
	445.516.381.S	5 (3P+N+E)	16	5	50-60 ~	600-690	10
	445.532.381.S	5 (3P+N+E)	32	5	50-60 ~	600-690	5
	446.316.381.S	3 (2P+E)	16	6	50-60 ~	200-250	10
	446.332.381.S	3 (2P+E)	32	6	50-60 ~	200-250	5
	446.416.381.S	4 (3P+E)	16	6	50-60 ~	380-415	10
	446.432.381.S	4 (3P+E)	32	6	50-60 ~	380-415	5
	446.516.381.S	5 (3P+N+E)	16	6	50-60 ~	380-415	10
	446.532.381.S	5 (3P+N+E)	32	6	50-60 ~	380-415	5
	447.316.381	3 (2P+E)	16	7	50-60 ~	480-500	10
	447.332.381	3 (2P+E)	32	7	50-60 ~	480-500	5
447.416.381	4 (3P+E)	16	7	50-60 ~	480-500	10	
447.432.381	4 (3P+E)	32	7	50-60 ~	480-500	5	
447.516.381	5 (3P+N+E)	16	7	50-60 ~	480-500	10	
447.532.381	5 (3P+N+E)	16	7	50-60 ~	480-500	5	
	449.316.381	3 (2P+E)	16	9	50-60 ~	380-415	10
	449.332.381	3 (2P+E)	32	9	50-60 ~	380-415	5
	449.416.381	4 (3P+E)	16	9	50-60 ~	200-250	10
	449.432.381	4 (3P+E)	32	9	50-60 ~	200-250	5
	449.516.381	5 (3P+N+E)	16	9	50-60 ~	200-250	10
	449.532.381	5 (3P+N+E)	16	9	50-60 ~	200-250	5
	4410.316.381	3 (2P+E)	16	10	100-300 ~	50	10
	4410.332.381	3 (2P+E)	32	10	100-300 ~	50	5
	4410.416.381	4 (3P+E)	16	10	100-300 ~	50	10
	4410.432.381	4 (3P+E)	32	10	100-300 ~	50	5
	4410.516.381	5 (3P+N+E)	16	10	100-300 ~	50	10
	4410.532.381	5 (3P+N+E)	32	10	100-300 ~	50	5

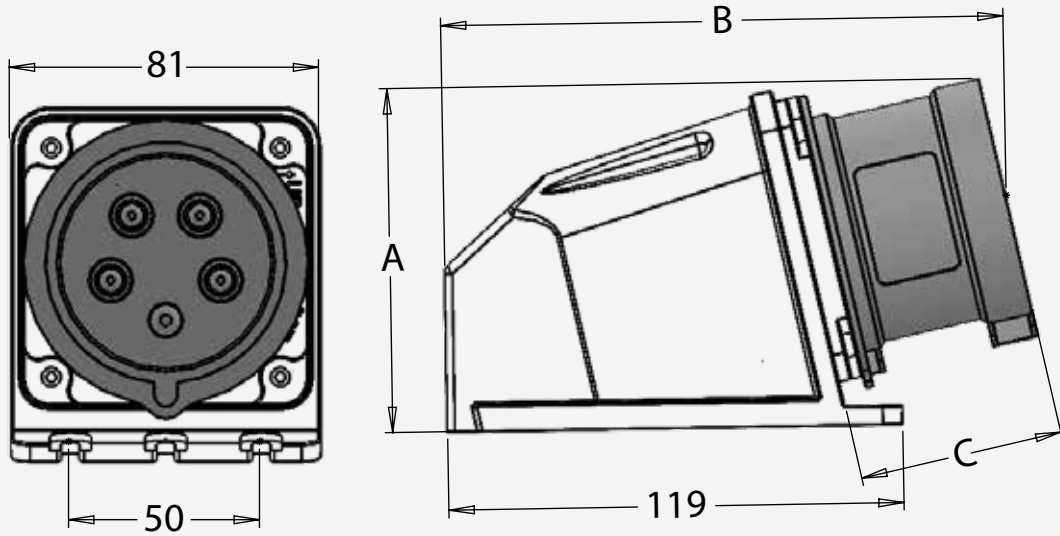
STRAIGHT WALL  
PLUG


IP  
44

# IP44 | Straight Wall Plug



	16A			32A		
	3P	4P	5P	3P	4P	5P
A	88	88	88	88	88	88
B	144	144	144	155	155	155
C	44	44	44	54	54	54
d	5-16	5-16	10-22	10-22	10-22	10-22
Connection type	Screw terminals					
Wire flexible (mm)	1 - 2,5			2,5 - 6		
Weight (g)	95	95	95	95	95	95



	Code	Pole	I(A)	h	Hz	Voltage	
	444.316.382	3 (2P+E)	16	4	50-60 ~	110-130	10
	444.332.382	3 (2P+E)	32	4	50-60 ~	110-130	6
	444.416.382	4 (3P+E)	16	4	50-60 ~	110-130	10
	444.432.382	4 (3P+E)	32	4	50-60 ~	110-130	6
	444.516.382	5 (3P+N+E)	16	4	50-60 ~	110-130	10
	444.532.382	5 (3P+N+E)	32	4	50-60 ~	110-130	6
	446.316.382	3 (2P+E)	16	6	50-60 ~	200-250	10
	446.332.382	3 (2P+E)	32	6	50-60 ~	200-250	6
	446.416.382	4 (3P+E)	16	6	50-60 ~	380-415	10
	446.432.382	4 (3P+E)	32	6	50-60 ~	380-415	6
	446.516.382	5 (3P+N+E)	16	6	50-60 ~	380-415	10
	446.532.382	5 (3P+N+E)	32	6	50-60 ~	380-415	6
Container Series	443.416.382	4 (3P+E)	16	3	50-60 ~	380-440	10
	443.432.382	4 (3P+E)	32	3	50-60 ~	440	6
	445.416.382.S	4 (3P+E)	16	5	50-60 ~	600-690	10
	445.432.382.S	4 (3P+E)	32	5	50-60 ~	600-690	6
	445.516.382.S	5 (3P+N+E)	16	5	50-60 ~	600-690	10
	445.532.382.S	5 (3P+N+E)	32	5	50-60 ~	600-690	6
Işık ve Ses Sistemleri	446.316.382.S	3 (2P+E)	16	6	50-60 ~	200-250	10
	446.332.382.S	3 (2P+E)	32	6	50-60 ~	200-250	6
	446.416.382.S	4 (3P+E)	16	6	50-60 ~	380-415	10
	446.432.382.S	4 (3P+E)	32	6	50-60 ~	380-415	6
	446.516.382.S	5 (3P+N+E)	16	6	50-60 ~	380-415	10
	446.532.382.S	5 (3P+N+E)	32	6	50-60 ~	380-415	6
	447.316.382	3 (2P+E)	16	7	50-60 ~	480-500	10
	447.332.382	3 (2P+E)	32	7	50-60 ~	480-500	6
	447.416.382	4 (3P+E)	16	7	50-60 ~	480-500	10
	447.432.382	4 (3P+E)	32	7	50-60 ~	480-500	6
	447.516.382	5 (3P+N+E)	16	7	50-60 ~	480-500	10
	447.532.382	5 (3P+N+E)	16	7	50-60 ~	480-500	6
	449.316.382	3 (2P+E)	16	9	50-60 ~	380-415	10
	449.332.382	3 (2P+E)	32	9	50-60 ~	380-415	6
	449.416.382	4 (3P+E)	16	9	50-60 ~	200-250	10
	449.432.382	4 (3P+E)	32	9	50-60 ~	200-250	6
	449.516.382	5 (3P+N+E)	16	9	50-60 ~	200-250	10
	449.532.382	5 (3P+N+E)	16	9	50-60 ~	200-250	6
	4410.316.382	3 (2P+E)	16	10	100-300 ~	50	10
	4410.332.382	3 (2P+E)	32	10	100-300 ~	50	6
	4410.416.382	4 (3P+E)	16	10	100-300 ~	50	10
	4410.432.382	4 (3P+E)	32	10	100-300 ~	50	6
	4410.516.382	5 (3P+N+E)	16	10	100-300 ~	50	10
	4410.532.382	5 (3P+N+E)	32	10	100-300 ~	50	6

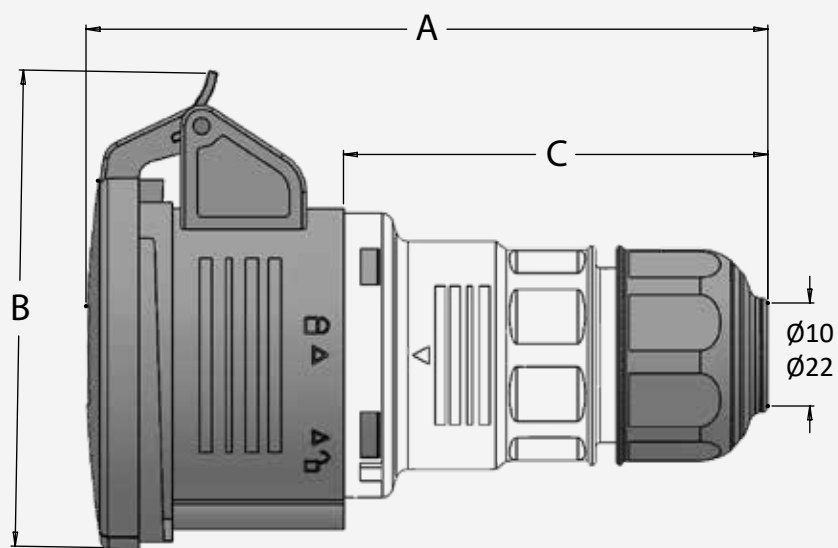
STRAIGHT WALL  
SOCKET


IP  
44

# IP44 | Movable Socket



	16A			32A			63A	
	3P	4P	5P	3P	4P	5P	4P	5P
A	136	136	146	154	154	157	238	238
B	83	90	100	108	108	113	107	107
C	87	87	96	96	96	96	153	153
ØK	5-16	5-16	10-22	10-22	10-22	10-22	10-22	10-22
Connection type	Screw terminals							
Wire flexible (mm)	1 - 2,5			2,5 - 6			2,5 - 6	
Weight (g)	95	95	95	95	95	95	95	95



Code	Pole	I(A)	h	Hz	Voltage		
444.316.200	3 (2P+E)	16	4	50-60 ~	110-130	12	
444.332.200	3 (2P+E)	32	4	50-60 ~	110-130	12	
444.416.200	4 (3P+E)	16	4	50-60 ~	110-130	12	
444.432.200	4 (3P+E)	32	4	50-60 ~	110-130	12	
444.516.200	5 (3P+N+E)	16	4	50-60 ~	110-130	12	
444.532.200	5 (3P+N+E)	32	4	50-60 ~	110-130	12	
446.316.200	3 (2P+E)	16	6	50-60 ~	200-250	12	
446.332.200	3 (2P+E)	32	6	50-60 ~	200-250	12	
446.416.200	4 (3P+E)	16	6	50-60 ~	380-415	12	
446.432.200	4 (3P+E)	32	6	50-60 ~	380-415	12	
446.463.200	4 (3P+E)	63	6	50-60 ~	380-415	12	
446.516.200	5 (3P+N+E)	32	6	50-60 ~	380-415	12	
446.532.200	5 (3P+N+E)	32	6	50-60 ~	380-415	12	
446.563.200	5 (3P+N+E)	63	6	50-60 ~	380-415	12	
<b>Konteyner Serisi</b>	443.416.200	4 (3P+E)	16	3	50-60 ~	380-440	12
	443.432.200	4 (3P+E)	32	3	50-60 ~	440	12
	445.416.200.S	4 (3P+E)	16	5	50-60 ~	600-690	12
	445.432.200.S	4 (3P+E)	32	5	50-60 ~	600-690	12
	445.516.200.S	5 (3P+N+E)	16	5	50-60 ~	600-690	12
	445.532.200.S	5 (3P+N+E)	32	5	50-60 ~	600-690	12
<b>Light and Sound Systems</b>	446.316.200.S	3 (2P+E)	16	6	50-60 ~	200-250	12
	446.332.200.S	3 (2P+E)	32	6	50-60 ~	200-250	12
	446.416.200.S	4 (3P+E)	16	6	50-60 ~	380-415	12
	446.432.200.S	4 (3P+E)	32	6	50-60 ~	380-415	12
	446.463.200.S	4 (3P+E)	63	6	50-60 ~	380-415	12
	446.516.200.S	5 (3P+N+E)	32	6	50-60 ~	380-415	12
	446.532.200.S	5 (3P+N+E)	32	6	50-60 ~	380-415	12
	446.563.200.S	5 (3P+N+E)	63	6	50-60 ~	380-415	12
	447.316.200	3 (2P+E)	16	7	50-60 ~	480-500	12
	447.332.200	3 (2P+E)	32	7	50-60 ~	480-500	12
	447.416.200	4 (3P+E)	16	7	50-60 ~	480-500	12
	447.432.200	4 (3P+E)	32	7	50-60 ~	480-500	12
	447.516.200	5 (3P+N+E)	16	7	50-60 ~	480-500	12
	447.532.200	5 (3P+N+E)	16	7	50-60 ~	480-500	12
		449.316.200	3 (2P+E)	16	9	50-60 ~	380-415
449.332.200		3 (2P+E)	32	9	50-60 ~	380-415	12
	449.416.200	4 (3P+E)	16	9	50-60 ~	200-250	12
	449.432.200	4 (3P+E)	32	9	50-60 ~	200-250	12
	449.516.200	5 (3P+N+E)	16	9	50-60 ~	200-250	12
	449.532.200	5 (3P+N+E)	16	9	50-60 ~	200-250	12
	4410.316.200	3 (2P+E)	16	10	100-300 ~	50	12
	4410.332.200	3 (2P+E)	32	10	100-300 ~	50	12
	4410.416.200	4 (3P+E)	16	10	100-300 ~	50	12
	4410.432.200	4 (3P+E)	32	10	100-300 ~	50	12
	4410.516.200	5 (3P+N+E)	16	10	100-300 ~	50	12
	4410.532.200	5 (3P+N+E)	32	10	100-300 ~	50	12

**Konteyner Serisi**

**Light and Sound Systems**

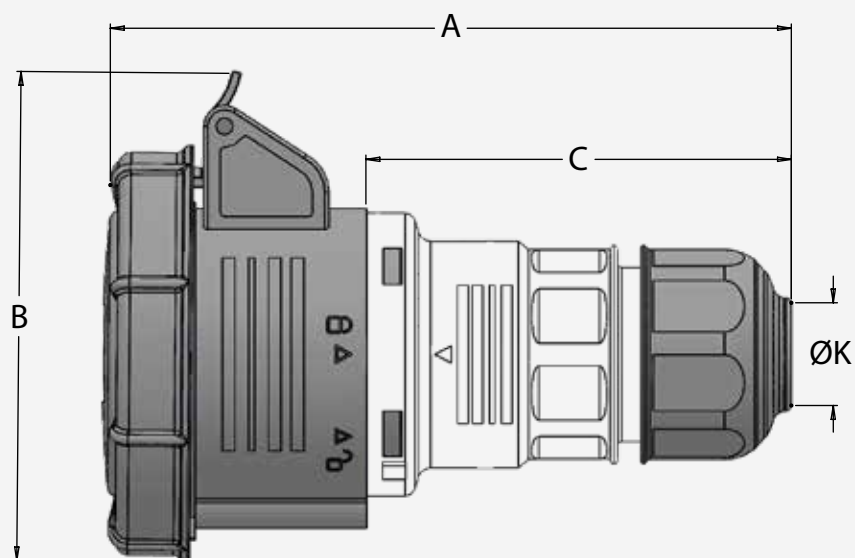
**MOVABLE SOCKET**

**IP 44**


# IP67 | Movable Socket



	16A			32A			63A	
	3P	4P	5P	3P	4P	5P	4P	5P
A	136	136	154	159	159	159	238	238
B	86	93	102	108	108	117	109	109
C	87	87	96	96	96	96	153	153
ØK	5-16	5-16	10-22	10-22	10-22	10-22	10-22	10-22
Connection type	Screw terminals							
Wire flexible (mm)	1 - 2,5			2,5 - 6			2,5 - 6	
Weight (g)	95	95	95	95	95	95	95	95





Code	Pole	I(A)	h	Hz	Voltage	
674.316.200	3 (2P+E)	16	4	50-60 ~	110-130	12
674.332.200	3 (2P+E)	32	4	50-60 ~	110-130	12
674.416.200	4 (3P+E)	16	4	50-60 ~	110-130	12
674.432.200	4 (3P+E)	32	4	50-60 ~	110-130	12
674.516.200	5 (3P+N+E)	16	4	50-60 ~	110-130	12
674.532.200	5 (3P+N+E)	32	4	50-60 ~	110-130	12
676.316.200	3 (2P+E)	16	6	50-60 ~	200-250	12
676.332.200	3 (2P+E)	32	6	50-60 ~	200-250	12
676.416.200	4 (3P+E)	16	6	50-60 ~	380-415	12
676.432.200	4 (3P+E)	32	6	50-60 ~	380-415	12
676.463.200	4 (3P+E)	63	6	50-60 ~	380-415	12
676.516.200	5 (3P+N+E)	32	6	50-60 ~	380-415	12
676.532.200	5 (3P+N+E)	32	6	50-60 ~	380-415	12
676.563.200	5 (3P+N+E)	63	6	50-60 ~	380-415	12
673.416.200	4 (3P+E)	16	3	50-60 ~	380-440	12
673.432.200	4 (3P+E)	32	3	50-60 ~	440	12
675.416.200.S	4 (3P+E)	16	5	50-60 ~	600-690	12
675.432.200.S	4 (3P+E)	32	5	50-60 ~	600-690	12
675.516.200.S	5 (3P+N+E)	16	5	50-60 ~	600-690	12
675.532.200.S	5 (3P+N+E)	32	5	50-60 ~	600-690	12
676.316.200.S	3 (2P+E)	16	6	50-60 ~	200-250	12
676.332.200.S	3 (2P+E)	32	6	50-60 ~	200-250	12
676.416.200.S	4 (3P+E)	16	6	50-60 ~	380-415	12
676.432.200.S	4 (3P+E)	32	6	50-60 ~	380-415	12
676.463.200.S	4 (3P+E)	63	6	50-60 ~	380-415	12
676.516.200.S	5 (3P+N+E)	32	6	50-60 ~	380-415	12
676.532.200.S	5 (3P+N+E)	32	6	50-60 ~	380-415	12
676.563.200.S	5 (3P+N+E)	63	6	50-60 ~	380-415	12
677.316.200	3 (2P+E)	16	7	50-60 ~	480-500	12
677.332.200	3 (2P+E)	32	7	50-60 ~	480-500	12
677.416.200	4 (3P+E)	16	7	50-60 ~	480-500	12
677.432.200	4 (3P+E)	32	7	50-60 ~	480-500	12
677.516.200	5 (3P+N+E)	16	7	50-60 ~	480-500	12
677.532.200	5 (3P+N+E)	16	7	50-60 ~	480-500	12
679.316.200	3 (2P+E)	16	9	50-60 ~	380-415	12
679.332.200	3 (2P+E)	32	9	50-60 ~	380-415	12
679.416.200	4 (3P+E)	16	9	50-60 ~	200-250	12
679.432.200	4 (3P+E)	32	9	50-60 ~	200-250	12
679.516.200	5 (3P+N+E)	16	9	50-60 ~	200-250	12
679.532.200	5 (3P+N+E)	16	9	50-60 ~	200-250	12
6710.316.200	3 (2P+E)	16	10	100-300 ~	50	12
6710.332.200	3 (2P+E)	32	10	100-300 ~	50	12
6710.416.200	4 (3P+E)	16	10	100-300 ~	50	12
6710.432.200	4 (3P+E)	32	10	100-300 ~	50	12
6710.516.200	5 (3P+N+E)	16	10	100-300 ~	50	12
6710.532.200	5 (3P+N+E)	32	10	100-300 ~	50	12

Konteyner  
Serisi

Light and Sound Systems

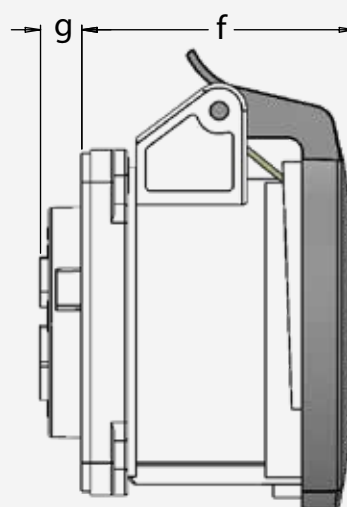
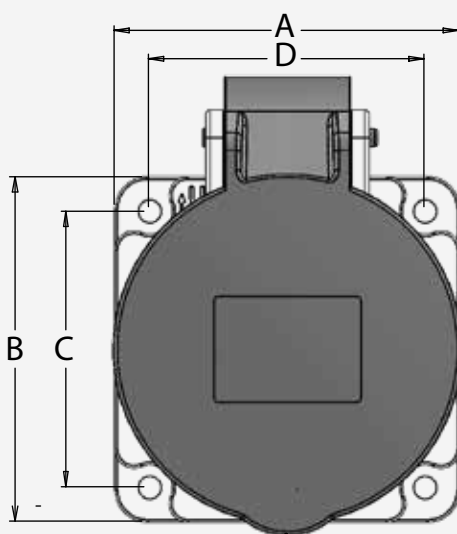
MOVABLE SOCKET


IP  
67

# IP44 | Straight Panel Socket



	16A			32A		
	3P	4P	5P	3P	4P	5P
A	75	75	75	75	75	75
B	75	75	75	75	75	75
C	60	60	60	60	60	60
D	60	60	60	60	60	60
g	14	14	14	14	14	14
f	57	57	57	57	66	69
Connection type	Screw terminals					
Wire flexible (mm)	1 - 2,5			2,5 - 6		
Weight (g)	95	95	95	95	95	95



	Code	Pole	I(A)	h	Hz	Voltage	
	444.316.280	3 (2P+E)	16	4	50-60 ~	110-130	12
	444.332.280	3 (2P+E)	32	4	50-60 ~	110-130	12
	444.416.280	4 (3P+E)	16	4	50-60 ~	110-130	12
	444.432.280	4 (3P+E)	32	4	50-60 ~	110-130	12
	444.516.280	5 (3P+N+E)	16	4	50-60 ~	110-130	12
	444.532.280	5 (3P+N+E)	32	4	50-60 ~	110-130	12
	446.316.280	3 (2P+E)	16	6	50-60 ~	200-250	12
	446.332.280	3 (2P+E)	32	6	50-60 ~	200-250	12
	446.416.280	4 (3P+E)	16	6	50-60 ~	380-415	12
	446.432.280	4 (3P+E)	32	6	50-60 ~	380-415	12
	446.516.280	5 (3P+N+E)	16	6	50-60 ~	380-415	12
	446.532.280	5 (3P+N+E)	32	6	50-60 ~	380-415	12
<b>Container Series</b>	443.416.280	4 (3P+E)	16	3	50-60 ~	380-440	12
	443.432.280	4 (3P+E)	32	3	50-60 ~	440	12
<b>Light and Sound Systems</b>	445.416.280.S	4 (3P+E)	16	5	50-60 ~	600-690	12
	445.432.280.S	4 (3P+E)	32	5	50-60 ~	600-690	12
	445.516.280.S	5 (3P+N+E)	16	5	50-60 ~	600-690	12
	445.532.280.S	5 (3P+N+E)	32	5	50-60 ~	600-690	12
	446.316.280.S	3 (2P+E)	16	6	50-60 ~	200-250	12
	446.332.280.S	3 (2P+E)	32	6	50-60 ~	200-250	12
	446.416.280.S	4 (3P+E)	16	6	50-60 ~	380-415	12
	446.432.280.S	4 (3P+E)	32	6	50-60 ~	380-415	12
	446.516.280.S	5 (3P+N+E)	16	6	50-60 ~	380-415	12
	446.532.280.S	5 (3P+N+E)	32	6	50-60 ~	380-415	12
	447.316.280	3 (2P+E)	16	7	50-60 ~	480-500	12
	447.332.280	3 (2P+E)	32	7	50-60 ~	480-500	12
447.416.280	4 (3P+E)	16	7	50-60 ~	480-500	12	
447.432.280	4 (3P+E)	32	7	50-60 ~	480-500	12	
447.516.280	5 (3P+N+E)	16	7	50-60 ~	480-500	12	
447.532.280	5 (3P+N+E)	16	7	50-60 ~	480-500	12	
	449.316.280	3 (2P+E)	16	9	50-60 ~	380-415	12
	449.332.280	3 (2P+E)	32	9	50-60 ~	380-415	12
	449.416.280	4 (3P+E)	16	9	50-60 ~	200-250	12
	449.432.280	4 (3P+E)	32	9	50-60 ~	200-250	12
	449.516.280	5 (3P+N+E)	16	9	50-60 ~	200-250	12
	449.532.280	5 (3P+N+E)	16	9	50-60 ~	200-250	12
	4410.316.280	3 (2P+E)	16	10	100-300 ~	50	12
	4410.332.280	3 (2P+E)	32	10	100-300 ~	50	12
	4410.416.280	4 (3P+E)	16	10	100-300 ~	50	12
	4410.432.280	4 (3P+E)	32	10	100-300 ~	50	12
	4410.516.280	5 (3P+N+E)	16	10	100-300 ~	50	12
	4410.532.280	5 (3P+N+E)	32	10	100-300 ~	50	12

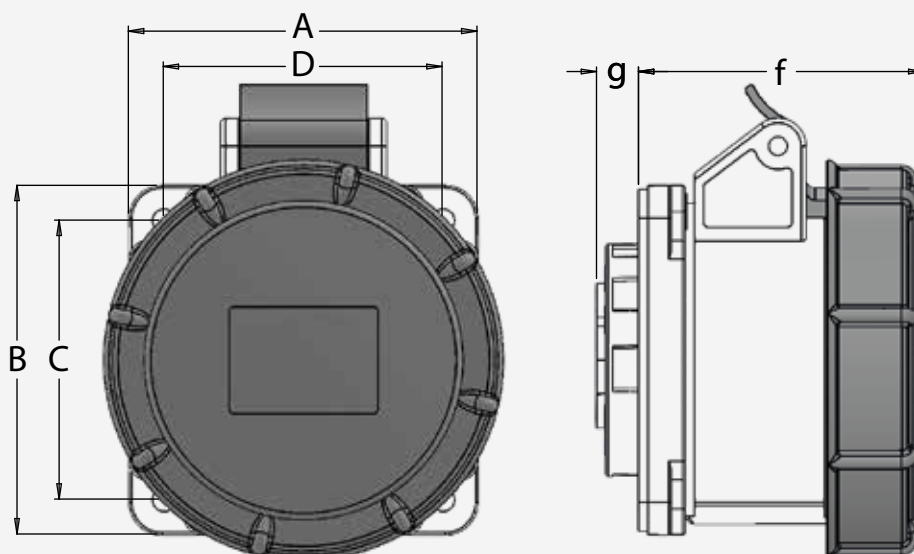
STRAIGHT PANEL SOCKET


IP 44

# IP67 | Straight Panel Socket



	16A			32A		
	3P	4P	5P	3P	4P	5P
A	75	75	75	75	75	75
B	75	75	75	75	75	75
C	60	60	60	60	60	60
D	60	60	60	60	60	60
g	14	14	14	14	14	14
f	59	59	59	71	71	71
Connection type	Screw terminals					
Wire flexible (mm)	1 - 2,5			2,5 - 6		
Weight (g)	95	95	95	95	95	95



	Code	Pole	I(A)	h	Hz	Voltage	
	674.316.280	3 (2P+E)	16	4	50-60 ~	110-130	12
	674.332.280	3 (2P+E)	32	4	50-60 ~	110-130	12
	674.416.280	4 (3P+E)	16	4	50-60 ~	110-130	12
	674.432.280	4 (3P+E)	32	4	50-60 ~	110-130	12
	674.516.280	5 (3P+N+E)	16	4	50-60 ~	110-130	12
	674.532.280	5 (3P+N+E)	32	4	50-60 ~	110-130	12
	676.316.280	3 (2P+E)	16	6	50-60 ~	200-250	12
	676.332.280	3 (2P+E)	32	6	50-60 ~	200-250	12
	676.416.280	4 (3P+E)	16	6	50-60 ~	380-415	12
	676.432.280	4 (3P+E)	32	6	50-60 ~	380-415	12
	676.516.280	5 (3P+N+E)	16	6	50-60 ~	380-415	12
	676.532.280	5 (3P+N+E)	32	6	50-60 ~	380-415	12
<b>Container Series</b>	673.416.280	4 (3P+E)	16	3	50-60 ~	380-440	12
	673.432.280	4 (3P+E)	32	3	50-60 ~	440	12
<b>Light and Sound Systems</b>	675.416.280.S	4 (3P+E)	16	5	50-60 ~	600-690	12
	675.432.280.S	4 (3P+E)	32	5	50-60 ~	600-690	12
	675.516.280.S	5 (3P+N+E)	16	5	50-60 ~	600-690	12
	675.532.280.S	5 (3P+N+E)	32	5	50-60 ~	600-690	12
	676.316.280.S	3 (2P+E)	16	6	50-60 ~	200-250	12
	676.332.280.S	3 (2P+E)	32	6	50-60 ~	200-250	12
	676.416.280.S	4 (3P+E)	16	6	50-60 ~	380-415	12
	676.432.280.S	4 (3P+E)	32	6	50-60 ~	380-415	12
	676.516.280.S	5 (3P+N+E)	16	6	50-60 ~	380-415	12
	676.532.280.S	5 (3P+N+E)	32	6	50-60 ~	380-415	12
	677.316.280	3 (2P+E)	16	7	50-60 ~	480-500	12
	677.332.280	3 (2P+E)	32	7	50-60 ~	480-500	12
677.416.280	4 (3P+E)	16	7	50-60 ~	480-500	12	
677.432.280	4 (3P+E)	32	7	50-60 ~	480-500	12	
677.516.280	5 (3P+N+E)	16	7	50-60 ~	480-500	12	
677.532.280	5 (3P+N+E)	16	7	50-60 ~	480-500	12	
	679.316.280	3 (2P+E)	16	9	50-60 ~	380-415	12
	679.332.280	3 (2P+E)	32	9	50-60 ~	380-415	12
	679.416.280	4 (3P+E)	16	9	50-60 ~	200-250	12
	679.432.280	4 (3P+E)	32	9	50-60 ~	200-250	12
	679.516.280	5 (3P+N+E)	16	9	50-60 ~	200-250	12
	679.532.280	5 (3P+N+E)	16	9	50-60 ~	200-250	12
	6710.316.280	3 (2P+E)	16	10	100-300 ~	50	12
	6710.332.280	3 (2P+E)	32	10	100-300 ~	50	12
	6710.416.280	4 (3P+E)	16	10	100-300 ~	50	12
	6710.432.280	4 (3P+E)	32	10	100-300 ~	50	12
	6710.516.280	5 (3P+N+E)	16	10	100-300 ~	50	12
	6710.532.280	5 (3P+N+E)	32	10	100-300 ~	50	12

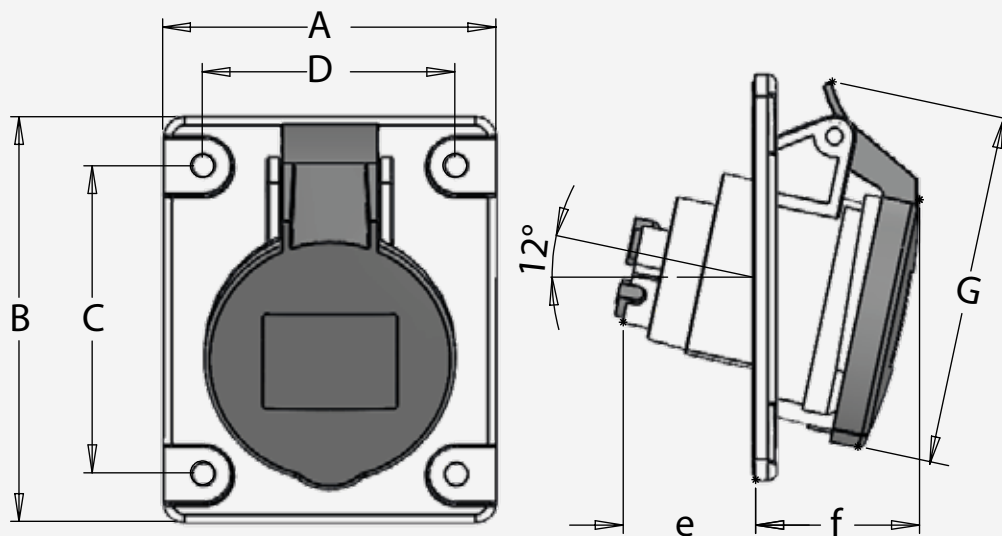
STRAIGHT PANEL SOCKET




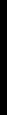
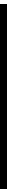



IP 67

# IP44 | Angled Panel Socket



	16A			32A			63A	
	3P	4P	5P	3P	4P	5P	4P	5P
A	126	126	136	145	145	143	95	95
B	58	63	75	69	69	78	110	110
C	87	87	96	96	96	96	95	95
D	5-16	5-16	10-22	10-22	10-22	10-22	80	80
e	5-16	5-16	10-22	10-22	10-22	10-22	68	68
f	5-16	5-16	10-22	10-22	10-22	10-22	70	70
g	5-16	5-16	10-22	10-22	10-22	10-22	107	107
Connection type	Screw terminals							
Wire flexible (mm)	1 - 2,5			2,5 - 6			2,5 - 6	
Weight (g)	95	95	95	95	95	95	95	95

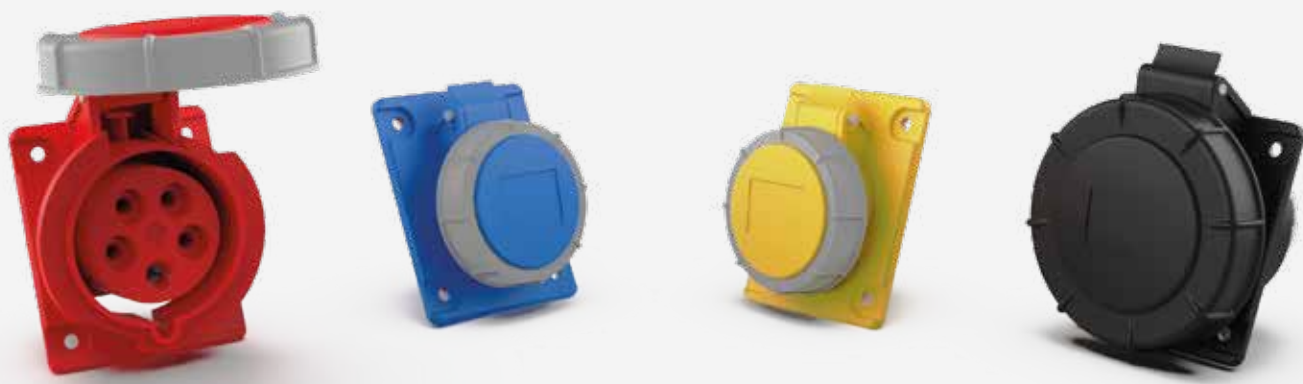


	Code	Pole	I(A)	h	Hz	Voltage	
	444.316.250	3 (2P+E)	16	4	50-60 ~	110-130	12
	444.332.250	3 (2P+E)	32	4	50-60 ~	110-130	12
	444.416.250	4 (3P+E)	16	4	50-60 ~	110-130	12
	444.432.250	4 (3P+E)	32	4	50-60 ~	110-130	12
	444.516.250	5 (3P+N+E)	16	4	50-60 ~	110-130	12
	444.532.250	5 (3P+N+E)	32	4	50-60 ~	110-130	12
	446.316.250	3 (2P+E)	16	6	50-60 ~	200-250	12
	446.332.250	3 (2P+E)	32	6	50-60 ~	200-250	12
	446.416.250	4 (3P+E)	16	6	50-60 ~	380-415	12
	446.432.250	4 (3P+E)	32	6	50-60 ~	380-415	12
	446.463.250	4 (3P+E)	63	6	50-60 ~	380-415	12
	446.516.250	5 (3P+N+E)	32	6	50-60 ~	380-415	12
	446.532.250	5 (3P+N+E)	32	6	50-60 ~	380-415	12
	446.563.250	5 (3P+N+E)	63	6	50-60 ~	380-415	12
<b>Container Series</b>	443.416.250	4 (3P+E)	16	3	50-60 ~	380-440	12
	443.432.250	4 (3P+E)	32	3	50-60 ~	440	12
	445.416.250.S	4 (3P+E)	16	5	50-60 ~	600-690	12
	445.432.250.S	4 (3P+E)	32	5	50-60 ~	600-690	12
	445.516.250.S	5 (3P+N+E)	16	5	50-60 ~	600-690	12
	445.532.250.S	5 (3P+N+E)	32	5	50-60 ~	600-690	12
<b>Light and Sound Systems</b>	446.316.250.S	3 (2P+E)	16	6	50-60 ~	200-250	12
	446.332.250.S	3 (2P+E)	32	6	50-60 ~	200-250	12
	446.416.250.S	4 (3P+E)	16	6	50-60 ~	380-415	12
	446.432.250.S	4 (3P+E)	32	6	50-60 ~	380-415	12
	446.463.250.S	4 (3P+E)	63	6	50-60 ~	380-415	12
	446.516.250.S	5 (3P+N+E)	32	6	50-60 ~	380-415	12
	446.532.250.S	5 (3P+N+E)	32	6	50-60 ~	380-415	12
	446.563.250.S	5 (3P+N+E)	63	6	50-60 ~	380-415	12
	447.316.250	3 (2P+E)	16	7	50-60 ~	480-500	12
	447.332.250	3 (2P+E)	32	7	50-60 ~	480-500	12
	447.416.250	4 (3P+E)	16	7	50-60 ~	480-500	12
	447.432.250	4 (3P+E)	32	7	50-60 ~	480-500	12
	447.516.250	5 (3P+N+E)	16	7	50-60 ~	480-500	12
	447.532.250	5 (3P+N+E)	16	7	50-60 ~	480-500	12
	449.316.250	3 (2P+E)	16	9	50-60 ~	380-415	12
	449.332.250	3 (2P+E)	32	9	50-60 ~	380-415	12
	449.416.250	4 (3P+E)	16	9	50-60 ~	200-250	12
	449.432.250	4 (3P+E)	32	9	50-60 ~	200-250	12
	449.516.250	5 (3P+N+E)	16	9	50-60 ~	200-250	12
	449.532.250	5 (3P+N+E)	16	9	50-60 ~	200-250	12
	4410.316.250	3 (2P+E)	16	10	100-300 ~	50	12
	4410.332.250	3 (2P+E)	32	10	100-300 ~	50	12
	4410.416.250	4 (3P+E)	16	10	100-300 ~	50	12
	4410.432.250	4 (3P+E)	32	10	100-300 ~	50	12
	4410.516.250	5 (3P+N+E)	16	10	100-300 ~	50	12
	4410.532.250	5 (3P+N+E)	32	10	100-300 ~	50	12

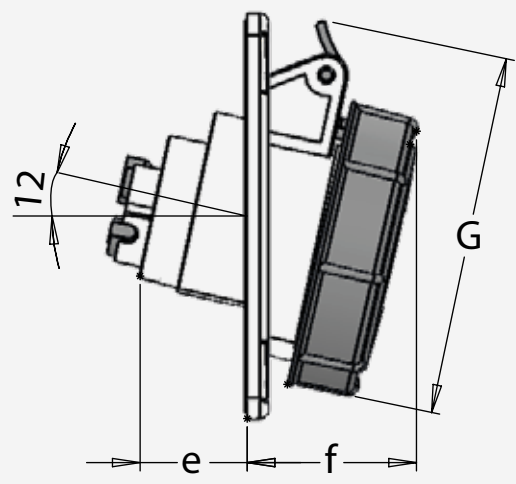
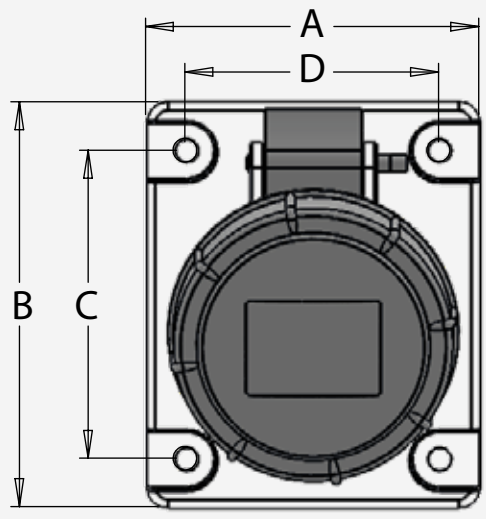
ANGLED PANEL SOCKET

IP 44




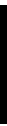
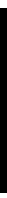



# IP67 | Angled Panel Socket



	16A			32A			63A	
	3P	4P	5P	3P	4P	5P	4P	5P
A	126	126	136	145	145	143	95	95
B	58	63	75	69	69	78	110	110
C	87	87	96	96	96	96	95	95
D	5-16	5-16	10-22	10-22	10-22	10-22	80	80
e	5-16	5-16	10-22	10-22	10-22	10-22	68	68
f	5-16	5-16	10-22	10-22	10-22	10-22	75	75
g	5-16	5-16	10-22	10-22	10-22	10-22	107	107
Connection type	Screw terminals							
Wire flexible (mm)	1 - 2,5			2,5 - 6			2,5 - 6	
Weight (g)	95	95	95	95	95	95	95	95





	Code	Pole	I(A)	h	Hz	Voltage	
	674.316.250	3 (2P+E)	16	4	50-60 ~	110-130	12
	674.332.250	3 (2P+E)	32	4	50-60 ~	110-130	12
	674.416.250	4 (3P+E)	16	4	50-60 ~	110-130	12
	674.432.250	4 (3P+E)	32	4	50-60 ~	110-130	12
	674.516.250	5 (3P+N+E)	16	4	50-60 ~	110-130	12
	674.532.250	5 (3P+N+E)	32	4	50-60 ~	110-130	12
	676.316.250	3 (2P+E)	16	6	50-60 ~	200-250	12
	676.332.250	3 (2P+E)	32	6	50-60 ~	200-250	12
	676.416.250	4 (3P+E)	16	6	50-60 ~	380-415	12
	676.432.250	4 (3P+E)	32	6	50-60 ~	380-415	12
	676.463.250	4 (3P+E)	63	6	50-60 ~	380-415	12
	676.516.250	5 (3P+N+E)	32	6	50-60 ~	380-415	12
	676.532.250	5 (3P+N+E)	32	6	50-60 ~	380-415	12
	676.563.250	5 (3P+N+E)	63	6	50-60 ~	380-415	12
<b>Container Series</b>	673.416.250	4 (3P+E)	16	3	50-60 ~	380-440	12
	673.432.250	4 (3P+E)	32	3	50-60 ~	440	12
	675.416.250.S	4 (3P+E)	16	5	50-60 ~	600-690	12
	675.432.250.S	4 (3P+E)	32	5	50-60 ~	600-690	12
	675.516.250.S	5 (3P+N+E)	16	5	50-60 ~	600-690	12
	675.532.250.S	5 (3P+N+E)	32	5	50-60 ~	600-690	12
<b>Light and Sound Systems</b>	676.316.250.S	3 (2P+E)	16	6	50-60 ~	200-250	12
	676.332.250.S	3 (2P+E)	32	6	50-60 ~	200-250	12
	676.416.250.S	4 (3P+E)	16	6	50-60 ~	380-415	12
	676.432.250.S	4 (3P+E)	32	6	50-60 ~	380-415	12
	676.463.250.S	4 (3P+E)	63	6	50-60 ~	380-415	12
	676.516.250.S	5 (3P+N+E)	32	6	50-60 ~	380-415	12
	676.532.250.S	5 (3P+N+E)	32	6	50-60 ~	380-415	12
	676.563.250.S	5 (3P+N+E)	63	6	50-60 ~	380-415	12
	677.316.250	3 (2P+E)	16	7	50-60 ~	480-500	12
	677.332.250	3 (2P+E)	32	7	50-60 ~	480-500	12
	677.416.250	4 (3P+E)	16	7	50-60 ~	480-500	12
	677.432.250	4 (3P+E)	32	7	50-60 ~	480-500	12
	677.516.250	5 (3P+N+E)	16	7	50-60 ~	480-500	12
	677.532.250	5 (3P+N+E)	16	7	50-60 ~	480-500	12
	679.316.250	3 (2P+E)	16	9	50-60 ~	380-415	12
	679.332.250	3 (2P+E)	32	9	50-60 ~	380-415	12
	679.416.250	4 (3P+E)	16	9	50-60 ~	200-250	12
	679.432.250	4 (3P+E)	32	9	50-60 ~	200-250	12
	679.516.250	5 (3P+N+E)	16	9	50-60 ~	200-250	12
	679.532.250	5 (3P+N+E)	16	9	50-60 ~	200-250	12
	6710.316.250	3 (2P+E)	16	10	100-300 ~	50	12
	6710.332.250	3 (2P+E)	32	10	100-300 ~	50	12
	6710.416.250	4 (3P+E)	16	10	100-300 ~	50	12
	6710.432.250	4 (3P+E)	32	10	100-300 ~	50	12
	6710.516.250	5 (3P+N+E)	16	10	100-300 ~	50	12
	6710.532.250	5 (3P+N+E)	32	10	100-300 ~	50	12

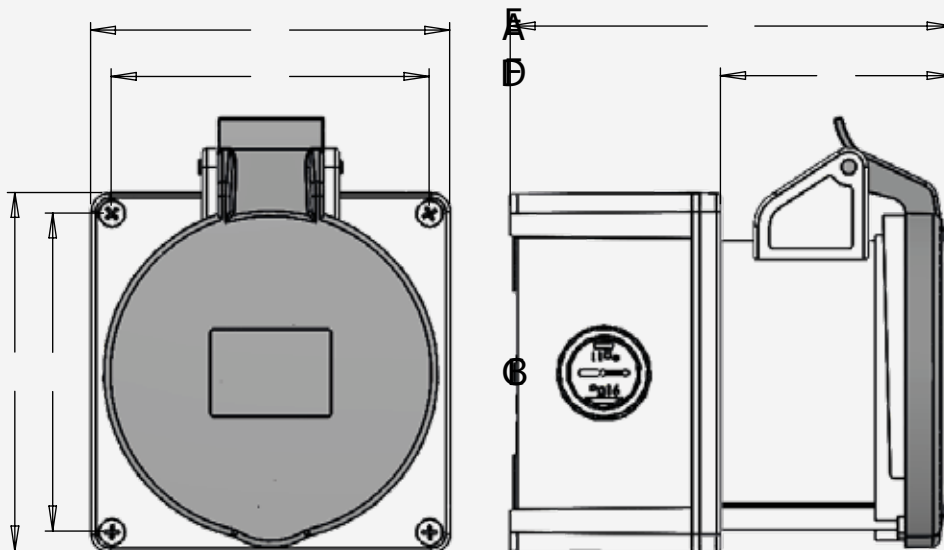
ANGLED PANEL SOCKET


IP 67

# IP44 | Straight Wall Socket



	16A			32A		
	3P	4P	5P	3P	4P	5P
A	95	95	95	95	95	95
B	95	95	95	95	95	95
C	84	84	84	84	84	84
D	84	84	84	84	84	84
e	105	105	105	114	114	117
f	49	49	49	58	58	61
Connection type	Screw terminals					
Wire flexible (mm)	1 - 2,5			2,5 - 6		
Weight (g)	95	95	95	95	95	95



	Code	Pole	I(A)	h	Hz	Voltage	
	444.316.281	3 (2P+E)	16	4	50-60 ~	110-130	10
	444.332.281	3 (2P+E)	32	4	50-60 ~	110-130	6
	444.416.281	4 (3P+E)	16	4	50-60 ~	110-130	10
	444.432.281	4 (3P+E)	32	4	50-60 ~	110-130	6
	444.516.281	5 (3P+N+E)	16	4	50-60 ~	110-130	10
	444.532.281	5 (3P+N+E)	32	4	50-60 ~	110-130	6
	446.316.281	3 (2P+E)	16	6	50-60 ~	200-250	10
	446.332.281	3 (2P+E)	32	6	50-60 ~	200-250	6
	446.416.281	4 (3P+E)	16	6	50-60 ~	380-415	10
	446.432.281	4 (3P+E)	32	6	50-60 ~	380-415	6
	446.516.281	5 (3P+N+E)	16	6	50-60 ~	380-415	10
	446.532.281	5 (3P+N+E)	32	6	50-60 ~	380-415	6
<b>Container Series</b>	443.416.281	4 (3P+E)	16	3	50-60 ~	380-440	10
	443.432.281	4 (3P+E)	32	3	50-60 ~	440	6
<b>Light and Sound Systems</b>	445.416.281.S	4 (3P+E)	16	5	50-60 ~	600-690	10
	445.432.281.S	4 (3P+E)	32	5	50-60 ~	600-690	6
	445.516.281.S	5 (3P+N+E)	16	5	50-60 ~	600-690	10
	445.532.281.S	5 (3P+N+E)	32	5	50-60 ~	600-690	6
	446.316.281.S	3 (2P+E)	16	6	50-60 ~	200-250	10
	446.332.281.S	3 (2P+E)	32	6	50-60 ~	200-250	6
	446.416.281.S	4 (3P+E)	16	6	50-60 ~	380-415	10
	446.432.281.S	4 (3P+E)	32	6	50-60 ~	380-415	6
	446.516.281.S	5 (3P+N+E)	16	6	50-60 ~	380-415	10
	446.532.281.S	5 (3P+N+E)	32	6	50-60 ~	380-415	6
	447.316.281	3 (2P+E)	16	7	50-60 ~	480-500	10
	447.332.281	3 (2P+E)	32	7	50-60 ~	480-500	6
447.416.281	4 (3P+E)	16	7	50-60 ~	480-500	10	
447.432.281	4 (3P+E)	32	7	50-60 ~	480-500	6	
447.516.281	5 (3P+N+E)	16	7	50-60 ~	480-500	10	
447.532.281	5 (3P+N+E)	16	7	50-60 ~	480-500	6	
	449.316.281	3 (2P+E)	16	9	50-60 ~	380-415	10
	449.332.281	3 (2P+E)	32	9	50-60 ~	380-415	6
	449.416.281	4 (3P+E)	16	9	50-60 ~	200-250	10
	449.432.281	4 (3P+E)	32	9	50-60 ~	200-250	6
	449.516.281	5 (3P+N+E)	16	9	50-60 ~	200-250	10
	449.532.281	5 (3P+N+E)	16	9	50-60 ~	200-250	6
	4410.316.281	3 (2P+E)	16	10	100-300 ~	50	10
	4410.332.281	3 (2P+E)	32	10	100-300 ~	50	6
	4410.416.281	4 (3P+E)	16	10	100-300 ~	50	10
	4410.432.281	4 (3P+E)	32	10	100-300 ~	50	6
	4410.516.281	5 (3P+N+E)	16	10	100-300 ~	50	10
	4410.532.281	5 (3P+N+E)	32	10	100-300 ~	50	6

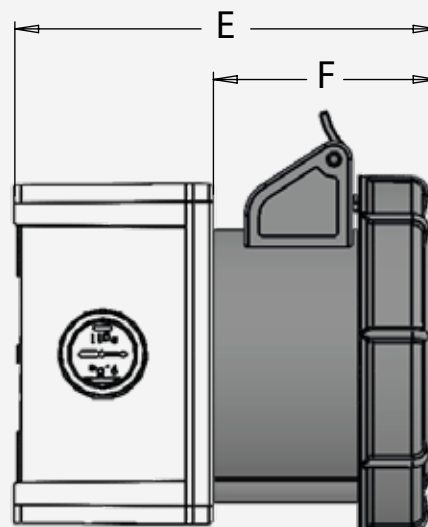
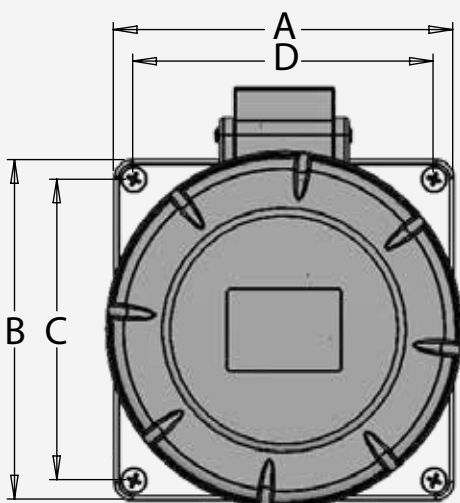
**STRAIGHT WALL SOCKET**


**IP 44**

# IP67 | Straight Wall Socket



	16A			32A		
	3P	4P	5P	3P	4P	5P
A	95	95	95	95	95	95
B	95	95	95	95	95	95
C	84	84	84	84	84	84
D	84	84	84	84	84	84
e	107	107	107	119	119	119
f	52	52	52	63	63	63
Connection type	Screw terminals					
Wire flexible (mm)	1 - 2,5			2,5 - 6		
Weight (g)	95	95	95	95	95	95



	Code	Pole	I(A)	h	Hz	Voltage	
	674.316.281	3 (2P+E)	16	4	50-60 ~	110-130	10
	674.332.281	3 (2P+E)	32	4	50-60 ~	110-130	6
	674.416.281	4 (3P+E)	16	4	50-60 ~	110-130	10
	674.432.281	4 (3P+E)	32	4	50-60 ~	110-130	6
	674.516.281	5 (3P+N+E)	16	4	50-60 ~	110-130	10
	674.532.281	5 (3P+N+E)	32	4	50-60 ~	110-130	6
	676.316.281	3 (2P+E)	16	6	50-60 ~	200-250	10
	676.332.281	3 (2P+E)	32	6	50-60 ~	200-250	6
	676.416.281	4 (3P+E)	16	6	50-60 ~	380-415	10
	676.432.281	4 (3P+E)	32	6	50-60 ~	380-415	6
	676.516.281	5 (3P+N+E)	16	6	50-60 ~	380-415	10
	676.532.281	5 (3P+N+E)	32	6	50-60 ~	380-415	6
Container Series	673.416.281	4 (3P+E)	16	3	50-60 ~	380-440	10
	673.432.281	4 (3P+E)	32	3	50-60 ~	440	6
Light and Sound Systems	675.416.281.S	4 (3P+E)	16	5	50-60 ~	600-690	10
	675.432.281.S	4 (3P+E)	32	5	50-60 ~	600-690	6
	675.516.281.S	5 (3P+N+E)	16	5	50-60 ~	600-690	10
	675.532.281.S	5 (3P+N+E)	32	5	50-60 ~	600-690	6
	676.316.281.S	3 (2P+E)	16	6	50-60 ~	200-250	10
	676.332.281.S	3 (2P+E)	32	6	50-60 ~	200-250	6
	676.416.281.S	4 (3P+E)	16	6	50-60 ~	380-415	10
	676.432.281.S	4 (3P+E)	32	6	50-60 ~	380-415	6
	676.516.281.S	5 (3P+N+E)	16	6	50-60 ~	380-415	10
	676.532.281.S	5 (3P+N+E)	32	6	50-60 ~	380-415	6
	677.316.281	3 (2P+E)	16	7	50-60 ~	480-500	10
	677.332.281	3 (2P+E)	32	7	50-60 ~	480-500	6
	677.416.281	4 (3P+E)	16	7	50-60 ~	480-500	10
	677.432.281	4 (3P+E)	32	7	50-60 ~	480-500	6
	677.516.281	5 (3P+N+E)	16	7	50-60 ~	480-500	10
	677.532.281	5 (3P+N+E)	16	7	50-60 ~	480-500	6
	679.316.281	3 (2P+E)	16	9	50-60 ~	380-415	10
	679.332.281	3 (2P+E)	32	9	50-60 ~	380-415	6
	679.416.281	4 (3P+E)	16	9	50-60 ~	200-250	10
	679.432.281	4 (3P+E)	32	9	50-60 ~	200-250	6
	679.516.281	5 (3P+N+E)	16	9	50-60 ~	200-250	10
	679.532.281	5 (3P+N+E)	16	9	50-60 ~	200-250	6
	6710.316.281	3 (2P+E)	16	10	100-300 ~	50	10
	6710.332.281	3 (2P+E)	32	10	100-300 ~	50	6
	6710.416.281	4 (3P+E)	16	10	100-300 ~	50	10
	6710.432.281	4 (3P+E)	32	10	100-300 ~	50	6
	6710.516.281	5 (3P+N+E)	16	10	100-300 ~	50	10
	6710.532.281	5 (3P+N+E)	32	10	100-300 ~	50	6

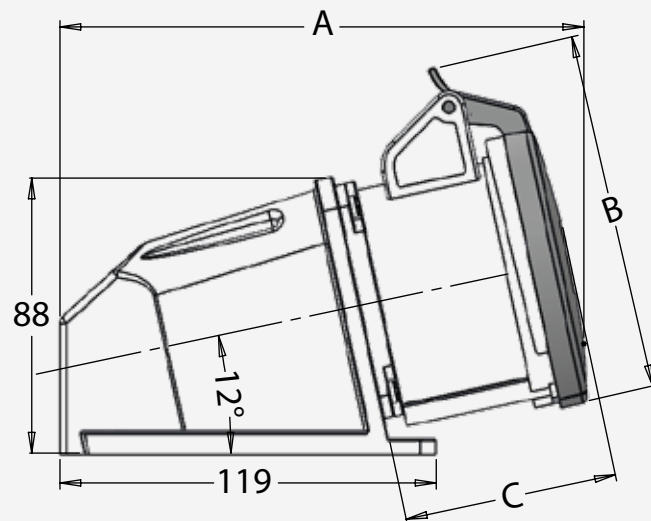
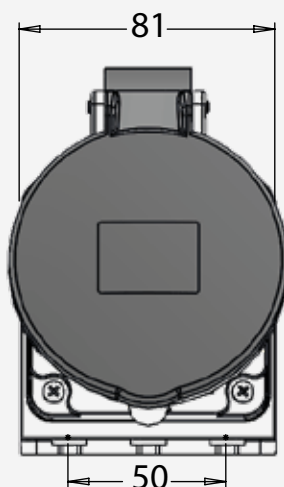
STRAIGHT WALL  
SOCKET


IP  
67

# IP44 | Angled Wall Socket



	16A			32A		
	3P	4P	5P	3P	4P	5P
A	151	151	155	161	161	167
B	78	83	92	107	107	113
C	54	54	56	63	63	68
ØK	5-16	5-16	10-22	10-22	10-22	10-22
Connection type	Screw terminals					
Wire flexible (mm)	1 - 2,5			2,5 - 6		
Weight (g)	95	95	95	95	95	95



	Code	Pole	I(A)	h	Hz	Voltage	
	444.316.282	3 (2P+E)	16	4	50-60 ~	110-130	10
	444.332.282	3 (2P+E)	32	4	50-60 ~	110-130	6
	444.416.282	4 (3P+E)	16	4	50-60 ~	110-130	10
	444.432.282	4 (3P+E)	32	4	50-60 ~	110-130	6
	444.516.282	5 (3P+N+E)	16	4	50-60 ~	110-130	10
	444.532.282	5 (3P+N+E)	32	4	50-60 ~	110-130	6
	446.316.282	3 (2P+E)	16	6	50-60 ~	200-250	10
	446.332.282	3 (2P+E)	32	6	50-60 ~	200-250	6
	446.416.282	4 (3P+E)	16	6	50-60 ~	380-415	10
	446.432.282	4 (3P+E)	32	6	50-60 ~	380-415	6
	446.516.282	5 (3P+N+E)	16	6	50-60 ~	380-415	10
	446.532.282	5 (3P+N+E)	32	6	50-60 ~	380-415	6
<b>Container Series</b>	443.416.282	4 (3P+E)	16	3	50-60 ~	380-440	10
	443.432.282	4 (3P+E)	32	3	50-60 ~	440	6
<b>Light and Sound Systems</b>	445.416.282.S	4 (3P+E)	16	5	50-60 ~	600-690	10
	445.432.282.S	4 (3P+E)	32	5	50-60 ~	600-690	6
	445.516.282.S	5 (3P+N+E)	16	5	50-60 ~	600-690	10
	445.532.282.S	5 (3P+N+E)	32	5	50-60 ~	600-690	6
	446.316.282.S	3 (2P+E)	16	6	50-60 ~	200-250	10
	446.332.282.S	3 (2P+E)	32	6	50-60 ~	200-250	6
	446.416.282.S	4 (3P+E)	16	6	50-60 ~	380-415	10
	446.432.282.S	4 (3P+E)	32	6	50-60 ~	380-415	6
	446.516.282.S	5 (3P+N+E)	16	6	50-60 ~	380-415	10
	446.532.282.S	5 (3P+N+E)	32	6	50-60 ~	380-415	6
	447.316.282	3 (2P+E)	16	7	50-60 ~	480-500	10
	447.332.282	3 (2P+E)	32	7	50-60 ~	480-500	6
447.416.282	4 (3P+E)	16	7	50-60 ~	480-500	10	
447.432.282	4 (3P+E)	32	7	50-60 ~	480-500	6	
447.516.282	5 (3P+N+E)	16	7	50-60 ~	480-500	10	
447.532.282	5 (3P+N+E)	16	7	50-60 ~	480-500	6	
	449.316.282	3 (2P+E)	16	9	50-60 ~	380-415	10
	449.332.282	3 (2P+E)	32	9	50-60 ~	380-415	6
	449.416.282	4 (3P+E)	16	9	50-60 ~	200-250	10
	449.432.282	4 (3P+E)	32	9	50-60 ~	200-250	6
	449.516.282	5 (3P+N+E)	16	9	50-60 ~	200-250	10
	449.532.282	5 (3P+N+E)	16	9	50-60 ~	200-250	6
	4410.316.282	3 (2P+E)	16	10	100-300 ~	50	10
	4410.332.282	3 (2P+E)	32	10	100-300 ~	50	6
	4410.416.282	4 (3P+E)	16	10	100-300 ~	50	10
	4410.432.282	4 (3P+E)	32	10	100-300 ~	50	6
	4410.516.282	5 (3P+N+E)	16	10	100-300 ~	50	10
	4410.532.282	5 (3P+N+E)	32	10	100-300 ~	50	6

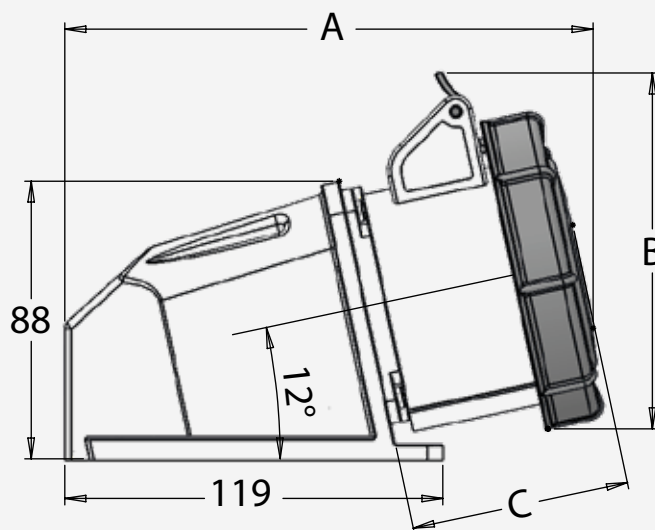
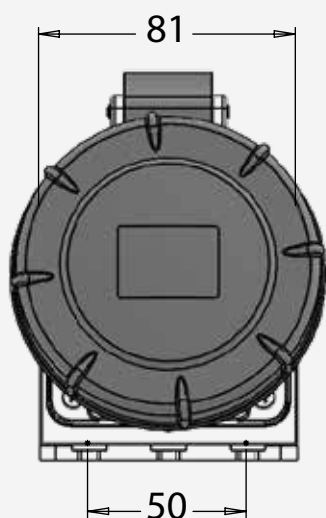
**ANGLED PANEL  
CKET**

**IP  
44**

# IP67 | Angled Wall Socket



	16A			32A		
	3P	4P	5P	3P	4P	5P
A	151	153	155	161	165	167
B	82	87	97	103	103	113
C	54	56	56	68	68	68
ØK	5-16	5-16	10-22	10-22	10-22	10-22
Connection type	Screw terminals					
Wire flexible (mm)	1 - 2,5			2,5 - 6		
Weight (g)	95	95	95	95	95	95







Code	Pole	I(A)	h	Hz	Voltage	
674.316.282	3 (2P+E)	16	4	50-60 ~	110-130	6
674.332.282	3 (2P+E)	32	4	50-60 ~	110-130	6
674.416.282	4 (3P+E)	16	4	50-60 ~	110-130	6
674.432.282	4 (3P+E)	32	4	50-60 ~	110-130	6
674.516.282	5 (3P+N+E)	16	4	50-60 ~	110-130	6
674.532.282	5 (3P+N+E)	32	4	50-60 ~	110-130	6
676.316.282	3 (2P+E)	16	6	50-60 ~	200-250	6
676.332.282	3 (2P+E)	32	6	50-60 ~	200-250	6
676.416.282	4 (3P+E)	16	6	50-60 ~	380-415	6
676.432.282	4 (3P+E)	32	6	50-60 ~	380-415	6
676.516.282	5 (3P+N+E)	16	6	50-60 ~	380-415	6
676.532.282	5 (3P+N+E)	32	6	50-60 ~	380-415	6
673.416.282	4 (3P+E)	16	3	50-60 ~	380-440	6
673.432.282	4 (3P+E)	32	3	50-60 ~	440	6
675.416.282.S	4 (3P+E)	16	5	50-60 ~	600-690	6
675.432.282.S	4 (3P+E)	32	5	50-60 ~	600-690	6
675.516.282.S	5 (3P+N+E)	16	5	50-60 ~	600-690	6
675.532.282.S	5 (3P+N+E)	32	5	50-60 ~	600-690	6
676.316.282.S	3 (2P+E)	16	6	50-60 ~	200-250	6
676.332.282.S	3 (2P+E)	32	6	50-60 ~	200-250	6
676.416.282.S	4 (3P+E)	16	6	50-60 ~	380-415	6
676.432.282.S	4 (3P+E)	32	6	50-60 ~	380-415	6
676.516.282.S	5 (3P+N+E)	16	6	50-60 ~	380-415	6
676.532.282.S	5 (3P+N+E)	32	6	50-60 ~	380-415	6
677.316.282	3 (2P+E)	16	7	50-60 ~	480-500	6
677.332.282	3 (2P+E)	32	7	50-60 ~	480-500	6
677.416.282	4 (3P+E)	16	7	50-60 ~	480-500	6
677.432.282	4 (3P+E)	32	7	50-60 ~	480-500	6
677.516.282	5 (3P+N+E)	16	7	50-60 ~	480-500	6
677.532.282	5 (3P+N+E)	16	7	50-60 ~	480-500	6
679.316.282	3 (2P+E)	16	9	50-60 ~	380-415	6
679.332.282	3 (2P+E)	32	9	50-60 ~	380-415	6
679.416.282	4 (3P+E)	16	9	50-60 ~	200-250	6
679.432.282	4 (3P+E)	32	9	50-60 ~	200-250	6
679.516.282	5 (3P+N+E)	16	9	50-60 ~	200-250	6
679.532.282	5 (3P+N+E)	16	9	50-60 ~	200-250	6
6710.316.282	3 (2P+E)	16	10	100-300 ~	50	6
6710.332.282	3 (2P+E)	32	10	100-300 ~	50	6
6710.416.282	4 (3P+E)	16	10	100-300 ~	50	6
6710.432.282	4 (3P+E)	32	10	100-300 ~	50	6
6710.516.282	5 (3P+N+E)	16	10	100-300 ~	50	6
6710.532.282	5 (3P+N+E)	32	10	100-300 ~	50	6

Konteyner Serisi

Işık ve Ses Sistemleri

ANGLED WALL SOCKET

IP 67

# Multiplier Sockets


## Movable 3 Way Multiplier Sockets ( Plug Input)

IP44

6h

50/60 Hz.



Code	Pole	I(A)	Voltage	
1344.316.333.0	3 (2P+E)	16	200-250	2
1344.332.333.0	3 (2P+E)	32	200-250	4
1344.416.333.0	4 (3P+E)	16	380-415	2
1344.432.333.0	4 (3P+E)	32	380-415	2
1344.516.333.0	5 (3P+N+E)	16	380-415	2
1344.532.333.0	5 (3P+N+E)	32	380-415	2


## Movable 3 Way Multiplier Sockets ( Plug Input)

IP67

6h

50/60 Hz.



Code	Pole	I(A)	Voltage	
1367.316.333.0	3 (2P+E)	16	200-250	2
1367.332.333.0	3 (2P+E)	32	200-250	4
1367.416.333.0	4 (3P+E)	16	380-415	2
1367.432.333.0	4 (3P+E)	32	380-415	2
1367.516.333.0	5 (3P+N+E)	16	380-415	2
1367.532.333.0	5 (3P+N+E)	32	380-415	2


## Movable 3 Way Multiplier Sockets ( Gland Input)

IP44

6h

50/60 Hz.



Code	Pole	I(A)	Voltage	
1344.316.333.1	3 (2P+E)	16	200-250	2
1344.332.333.1	3 (2P+E)	32	200-250	4
1344.416.333.1	4 (3P+E)	16	380-415	2
1344.432.333.1	4 (3P+E)	32	380-415	2
1344.516.333.1	5 (3P+N+E)	16	380-415	4
1344.532.333.1	5 (3P+N+E)	32	380-415	4


## Movable 3 Way Multiplier Sockets ( Gland Input)

IP67

6h

50/60 Hz.



Code	Pole	I(A)	Voltage	
1367.316.333.1	3 (2P+E)	16	200-250	2
1367.332.333.1	3 (2P+E)	32	200-250	4
1367.416.333.1	4 (3P+E)	16	380-415	2
1367.432.333.1	4 (3P+E)	32	380-415	2
1367.516.333.1	5 (3P+N+E)	16	380-415	4
1367.532.333.1	5 (3P+N+E)	32	380-415	4

# Interlocked Sockets


## Panel Sockets with Internal Locked and Switch (Horizontal)

IP44

6h

50/60 Hz.



Code	Pole	I(A)	Voltage	
1444.316.15	3 (2P+E)	16	200-250	1
1444.332.15	3 (2P+E)	32	200-250	1
1444.416.15	4 (3P+E)	16	380-415	1
1444.432.15	4 (3P+E)	32	380-415	1
1444.516.15	5 (3P+N+E)	16	380-415	1
1444.532.15	5 (3P+N+E)	32	380-415	1


## Panel Sockets with Internal Locked and Switch (Horizontal)

IP67

6h

50/60 Hz.



Code	Pole	I(A)	Voltage	
1467.316.15	3 (2P+E)	16	200-250	1
1467.332.15	3 (2P+E)	32	200-250	1
1467.416.15	4 (3P+E)	16	380-415	1
1467.432.15	4 (3P+E)	32	380-415	1
1467.516.15	5 (3P+N+E)	16	380-415	1
1467.532.15	5 (3P+N+E)	32	380-415	1


## Wall Sockets with Internal Locked and Switch (Horizontal)

IP44

6h

50/60 Hz.



Code	Pole	I(A)	Voltage	
1444.316.10	3 (2P+E)	16	200-250	1
1444.332.10	3 (2P+E)	32	200-250	1
1444.416.10	4 (3P+E)	16	380-415	1
1444.432.10	4 (3P+E)	32	380-415	1
1444.516.10	5 (3P+N+E)	16	380-415	1
1444.532.10	5 (3P+N+E)	32	380-415	1


## Wall Sockets with Internal Locked and Switch (Horizontal)

IP67

6h

50/60 Hz.



Code	Pole	I(A)	Voltage	
1467.316.10	3 (2P+E)	16	200-250	1
1467.332.10	3 (2P+E)	32	200-250	1
1467.416.10	4 (3P+E)	16	380-415	1
1467.432.10	4 (3P+E)	32	380-415	1
1467.516.10	5 (3P+N+E)	16	380-415	1
1467.532.10	5 (3P+N+E)	32	380-415	1

# Interlocked Sockets


## Panel Sockets with Internal Locked and Switch (Vertical Type)

IP44

6h

50/60 Hz.



Code	Pole	I(A)	Voltage	
1944.316.15	3 (2P+E)	16	200-250	1
1944.332.15	3 (2P+E)	32	200-250	1
1944.416.15	4 (3P+E)	16	380-415	1
1944.432.15	4 (3P+E)	32	380-415	1
1444.516.15	5 (3P+N+E)	16	380-415	1
1444.532.15	5 (3P+N+E)	32	380-415	1


## Panel Sockets with Internal Locked and Switch (Vertical Type)

IP67

6h

50/60 Hz.



Code	Pole	I(A)	Voltage	
1967.316.15	3 (2P+E)	16	200-250	1
1967.332.15	3 (2P+E)	32	200-250	1
1967.416.15	4 (3P+E)	16	380-415	1
1967.432.15	4 (3P+E)	32	380-415	1
1967.516.15	5 (3P+N+E)	16	380-415	1
1967.532.15	5 (3P+N+E)	32	380-415	1


## Wall Sockets with Internal Locked and Switch (Vertical Type)

IP44

6h

50/60 Hz.



Code	Pole	I(A)	Voltage	
1944.316.10	3 (2P+E)	16	200-250	1
1944.332.10	3 (2P+E)	32	200-250	1
1944.416.10	4 (3P+E)	16	380-415	1
1944.432.10	4 (3P+E)	32	380-415	1
1944.516.10	5 (3P+N+E)	16	380-415	1
1944.532.10	5 (3P+N+E)	32	380-415	1


## Wall Sockets with Internal Locked and Switch (Vertical Type)

IP67

6h

50/60 Hz.



Code	Pole	I(A)	Voltage	
1967.316.10	3 (2P+E)	16	200-250	1
1967.332.10	3 (2P+E)	32	200-250	1
1967.416.10	4 (3P+E)	16	380-415	1
1967.432.10	4 (3P+E)	32	380-415	1
1967.516.10	5 (3P+N+E)	16	380-415	1
1967.532.10	5 (3P+N+E)	32	380-415	1

# Interlocked Sockets


## Panel Sockets with Internal Locked and Switch

IP44

6h

50/60 Hz.



Code	Pole	I(A)	Voltage	
1644.316.15	3 (2P+E)	16	200-250	1
1644.332.15	3 (2P+E)	32	200-250	1
1644.416.15	4 (3P+E)	16	380-415	1
1644.432.15	4 (3P+E)	32	380-415	1
1644.516.15	5 (3P+N+E)	16	380-415	1
1644.532.15	5 (3P+N+E)	32	380-415	1


## Panel Sockets with Internal Locked and Switch

IP67

6h

50/60 Hz.



Code	Pole	I(A)	Voltage	
1667.316.15	3 (2P+E)	16	200-250	1
1667.332.15	3 (2P+E)	32	200-250	1
1667.416.15	4 (3P+E)	16	380-415	1
1667.432.15	4 (3P+E)	32	380-415	1
1667.516.15	5 (3P+N+E)	16	380-415	1
1667.532.15	5 (3P+N+E)	32	380-415	1


## Wall Sockets with Internal Locked and Switch

IP44

6h

50/60 Hz.



Code	Pole	I(A)	Voltage	
1644.316.10	3 (2P+E)	16	200-250	1
1644.332.10	3 (2P+E)	32	200-250	1
1644.416.10	4 (3P+E)	16	380-415	1
1644.432.10	4 (3P+E)	32	380-415	1
1644.516.10	5 (3P+N+E)	16	380-415	1
1644.532.10	5 (3P+N+E)	32	380-415	1


## Wall Sockets with Internal Locked and Switch

IP67

6h

50/60 Hz.



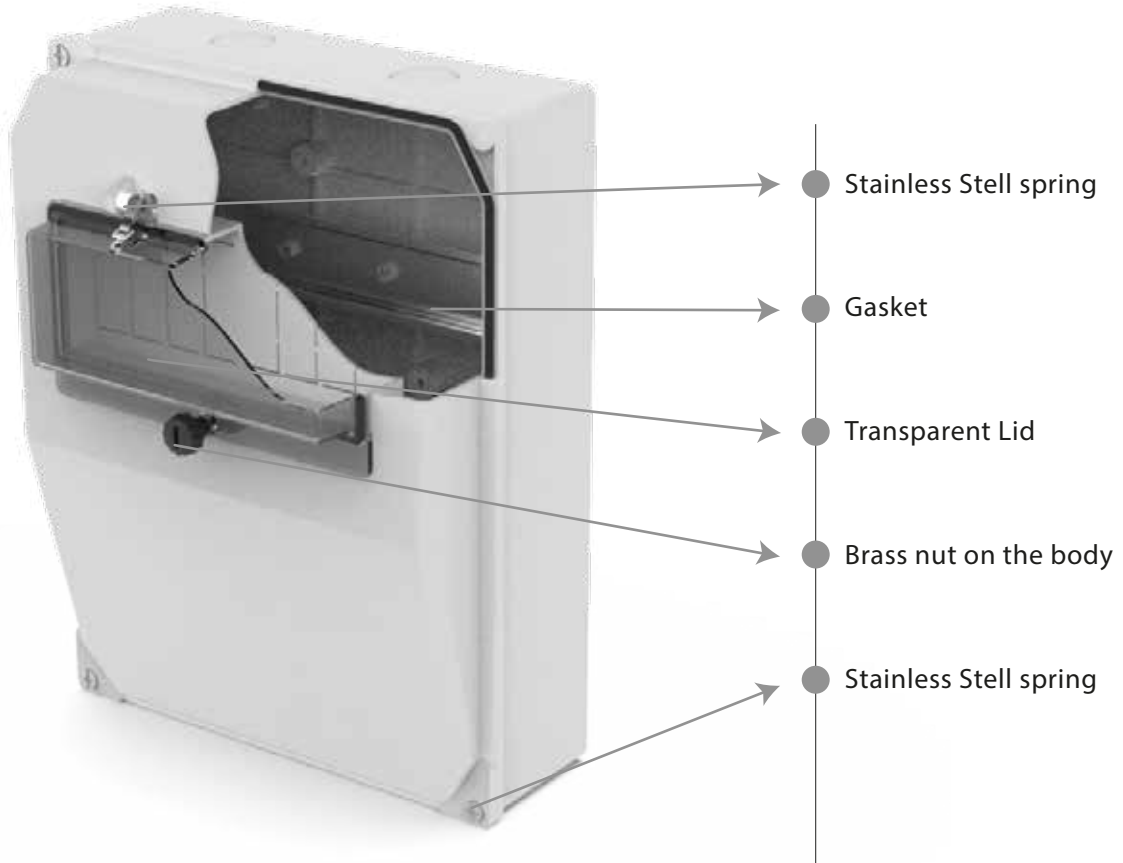
Code	Pole	I(A)	Voltage	
1667.316.10	3 (2P+E)	16	200-250	1
1667.332.10	3 (2P+E)	32	200-250	1
1667.416.10	4 (3P+E)	16	380-415	1
1667.432.10	4 (3P+E)	32	380-415	1
1667.516.10	5 (3P+N+E)	16	380-415	1
1667.532.10	5 (3P+N+E)	32	380-415	1

## Combination Boxes



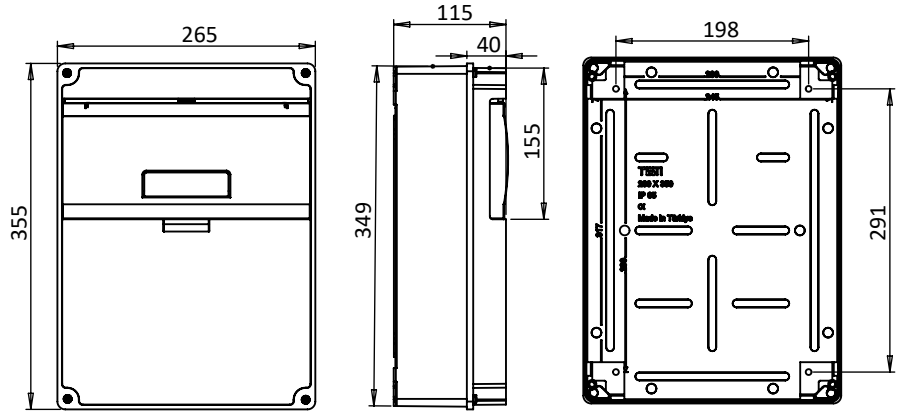
- Heat resistance level is V2.
- It qualified by IEC 60309-1 and IEC 60695-2-1 standards.
- Installation temperature in minimum is -25 °C and in maximum is +60 °C.

# Combination Boxes



Ref.Code	Dimension(mm)	Thickness	Pcs	Weight	IP
E.64120	260x350x150	2,5 - 3	1	1.218	67
64120	260x350x120	2,5 - 3	1	1.275	67
62100	210 x 280 x 100	2,5 - 3	1	840	67
62080	210 x 280 x 100	2,5 - 3	1	840	67
61060	135 x 250 x 120	2 - 2,5	3	450	67
61040	113 x 210 x 90	2 - 2,5	3	340	67
3540	113 x 210 x 73	2 - 2,5	6	305	44
64000	210 x 280 x 100	2-3	1	670	67

- Heat resistance level is V2
- It qualified by IEC 60309-1 and IEC 60695-2-1 standards.
- Installation temprature in minimum is -25 °C and in maximum is +60 °C.



265 x 355 x 118 mm  
10.4 x 14 x 4.6 inch



2 pcs. IP44 3x16A CEE Front +  
4 pcs. IP44 1x16A Front  
E.4212.3160.024



2 pcs. IP44 4x32A CEE Front +  
4 pcs. IP44 1x16A Front  
E.4212.4320.024



2 Ad. IP67 5x32A CEE Front +  
4 pcs. IP44 1x16A Front  
E.62120.5321.024



2 pcs. IP44 5x32A CEE Front +  
4 pcs. IP44 1x16A Front  
E.4412.5320.024

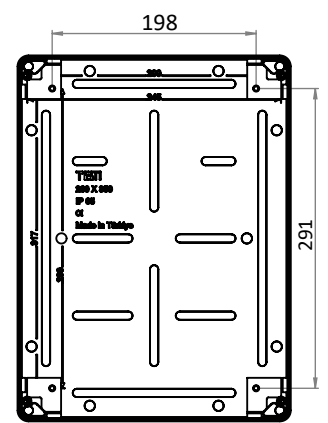
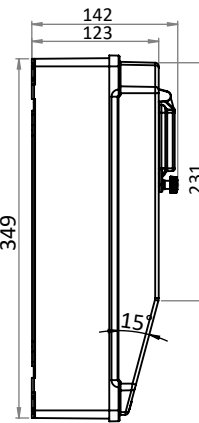
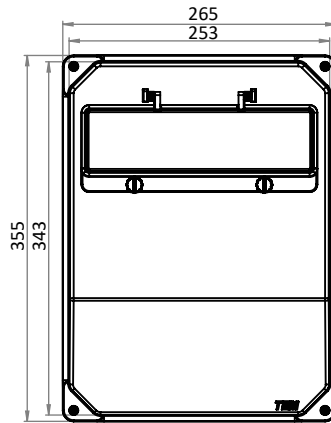


2 pcs. IP67 3x32A CEE Front +  
4 pcs. IP44 1x16A Front  
E.6212.3321.024



2 pcs. IP67 4x16A CEE Front +  
4 pcs. IP44 1x16A Front  
E.6212.4161.024





265 x 355 x 142 mm  
10.4 x 14 x 5.6 inch



4x16A CEE Socket IP44 2 pcs.  
1x16A Schuko Socket IP67 8 pcs.

451.0000.4160.028



4x16A CEE Socket IP44 2 pcs.  
3x16A CEE Socket IP44 2 pcs.  
1x16A Schuko Socket IP44 4 pcs.

451.4160.3160.224



3x32A CEE Socket IP44 2 pcs.  
3x16A CEE Socket IP44 2 pcs.  
1x16A Schuko Socket IP44 4 pcs.

451.3320.3160.224



5x32A CEE Socket IP44 2 pcs.  
5x16A CEE Socket IP44 2 pcs.  
1x16A Schuko Socket IP44 4 pcs.

451.5320.5160.224



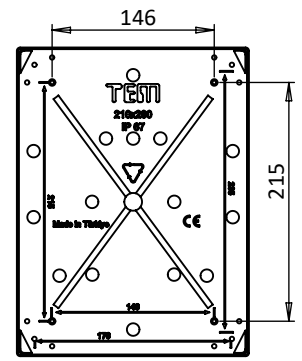
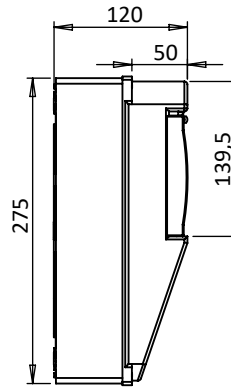
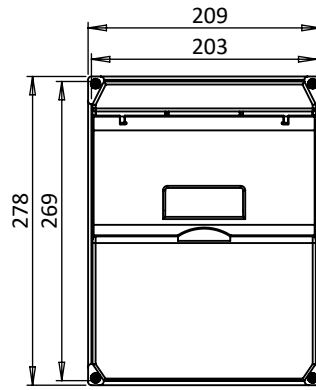
5x32A CEE Socket IP67 4 pcs.

451.0000.5321.040



3x32A CEE Socket IP67 2 pcs.  
5x32A CEE Socket IP67 2 pcs.

451.3321.5321.220



265 x 355 x 142 mm  
10.4 x 14 x 5.6 inch



**4x16A Cee Socket IP44 1pcs**  
**1x16A Schuko Socket IP44 1pcs**  
42100.4160.0000.011



**4x16A Cee Socket IP44 2pcs**  
**1x16A Schuko Socket IP44 2pcs**  
42100.4160.0000.022



**4x25A Cee Socket IP44 2pcs**  
**1x16A Schuko Socket IP44 2pcs**  
42100.4250.0000.022



**4x32A Cee Socket IP44 1pcs**  
**1x16A Schuko Socket IP44 4pcs**  
42100.4321.0000.024

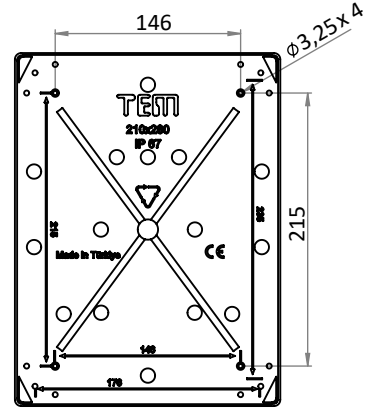
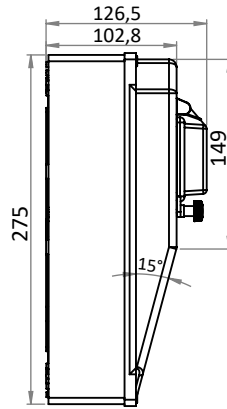
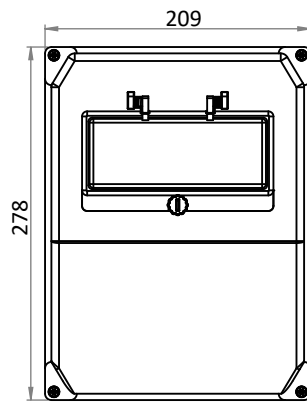


**5x32A Cee Socket IP44 1pcs**  
**1x16A Schuko Socket IP44 2pcs**  
42100.5320.0000.012



**5x32A Cee Socket IP67 1pcs**  
**1x16A Schuko Socket IP44 4pcs**  
42100.5321.0000.014

Ref Code: 62080



209 x 278 x 126 mm  
8.2 x 10.9 x 5 inch



3x16A CEE Socket IP44 2pcs.  
1x16A Schuko Socket IP44 2pcs.  
42080.3160.0000.022



4x16A CEE Socket IP44 2pcs.  
1x16A Schuko Socket IP44 2pcs.  
42080.4160.0000.022



5x16A CEE Socket IP44 2pcs.  
1x16A Schuko Socket IP44 2pcs.  
42080.5160.0000.022



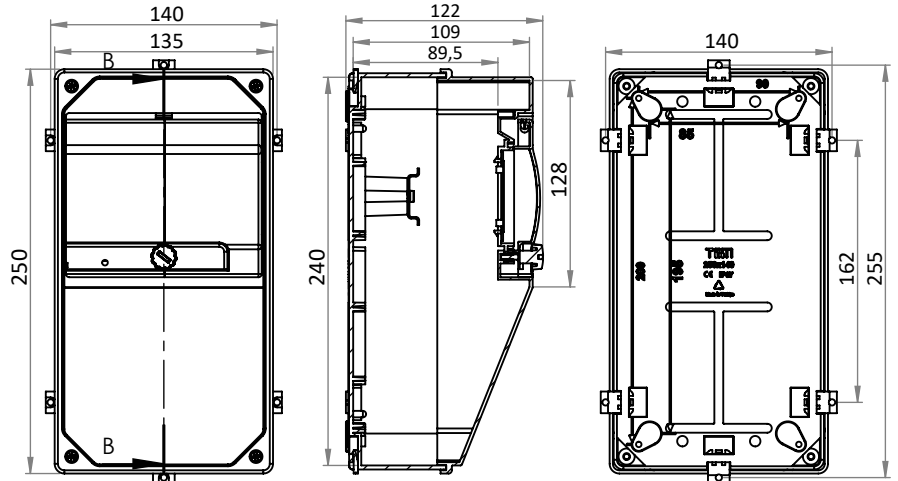
5x32A CEE Socket IP44 2pcs.  
2x16A Schuko Socket IP44 2pcs.  
42080.5320.0000.022



5x32A CEE Socket IP67 2pcs.  
42080.5321.0000.040



3x32A CEE Socket IP67 1pcs.  
4x32A CEE Socket IP67 1pcs.  
42080.3321.4321.110



135 x 250 x 122 mm  
5.3 x 9.8 x 4.8 inch



3x16A CEE Socket IP44 1pcs.  
1x16A Schuko Socket IP44 2pcs.  
4160.3160.0000.012



4x16A CEE Socket IP44 1pcs.  
1x16A Schuko Socket IP44 2pcs.  
4160.4160.0000.012



5x16A CEE Socket IP44 1pcs.  
1x16A Schuko Socket IP44 2pcs.  
4160.5160.0000.012



4x32A CEE Socket IP44 1pcs.  
1x16A Schuko Socket IP44 2pcs.  
4160.4320.0000.012

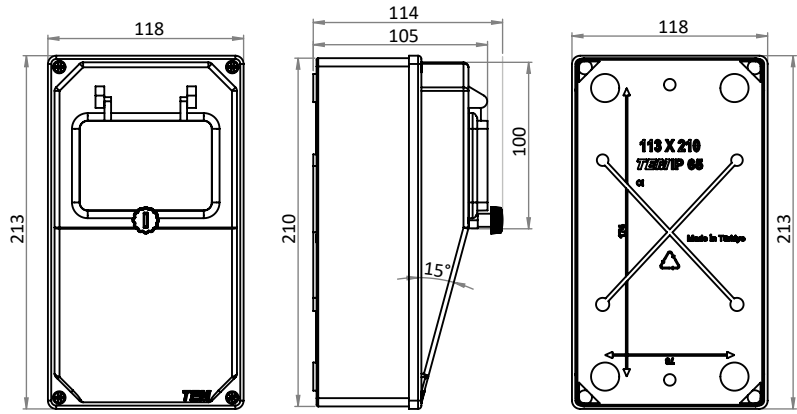


3x32A CEE Socket IP67 1pcs.  
4160.3321.0000.010



4x32A CEE Socket IP67 1pcs.  
4160.4321.0000.010

Ref Code: 61040



118 x 213 x 114 mm  
4.6 x 8.4 x 4.5 inch



3x16A CEE Socket IP44 1pcs.  
1x16A Schuko Socket IP44 2pcs.  
41040.3160.0000.012



4x16A CEE Socket IP44 1pcs.  
1x16A Schuko Socket IP44 2pcs.  
41040.4160.0000.012



5x16A CEE Socket IP44 1pcs.  
1x16A Schuko Socket IP44 2pcs.  
41040.5160.0000.012



5x32A CEE Socket IP44 1pcs.  
1x16A Schuko Socket IP44 2pcs.  
41040.5320.0000.012

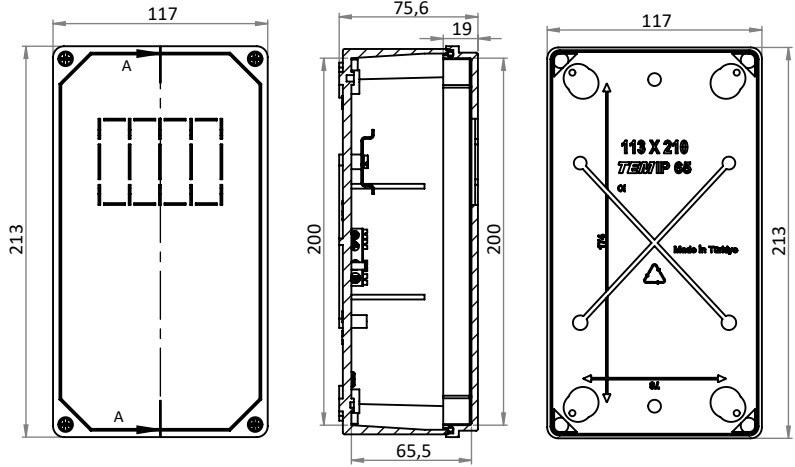


3x32A CEE Socket IP67 1pcs.  
41040.3321.0000.010



4x32A CEE Socket IP67 1pcs.  
41040.4321.0000.010

Ref Code: 3540



117 x 213 x 75 mm  
4.6 x 8.4 x 2.9 inch



**3x16A CEE Socket IP44 1 pcs.**  
**1x16A Schuko Socket IP44 2 pcs.**  
3540.3160.012



**4x16A CEE Socket IP44 1 pcs.**  
**1x16A Schuko Socket IP44 2 pcs.**  
3540.4160.012



**5x16A CEE Socket IP44 1 pcs.**  
**1x16A Schuko Socket IP44 2 pcs.**  
3540.5160.012



**5x32A CEE Socket IP44 1 pcs.**  
**1x16A Schuko Socket IP44 2 pcs.**  
3540.5320.012

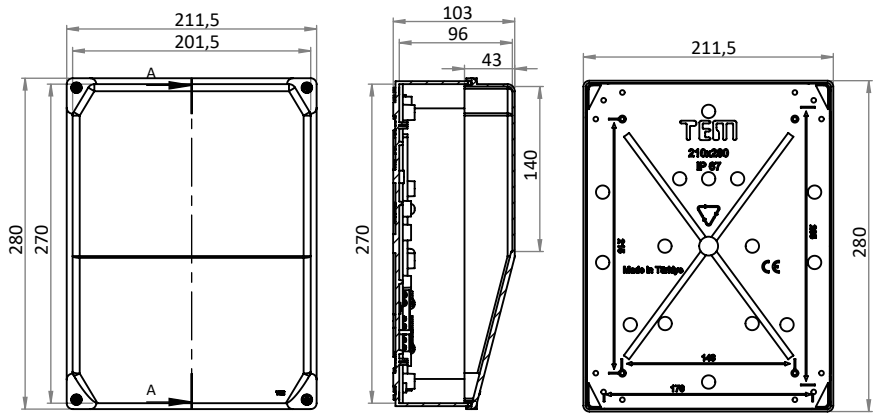


**3x32A CEE Socket IP67 1 pcs.**  
3540.3321.010



**4x32A CEE Socket IP67 1 pcs.**  
3540.4321.010

Ref Code: 6400



211 x 280 x 103 mm  
8.3 x 11 x 4 inch



4x16A CEE Socket IP44 2 pcs.  
1x16A Schuko Socket IP67 8 pcs.  
455.0000.4160.028



4x16A CEE Socket IP44 2 pcs.  
3x16A CEE Socket IP44 2 pcs.  
1x16A Schuko Socket IP44 4 pcs.  
455.4160.3160.224



4x16A CEE Socket IP44 2 pcs.  
4x32A CEE Socket IP44 2 pcs.  
1x16A Schuko Socket IP44 4 pcs.  
455.4160.4320.224



5x32A CEE Socket IP44 2 pcs.  
5x16A CEE Socket IP44 2 pcs.  
1x16A Schuko Socket IP44 4 pcs.  
455.5320.5160.224



5x32A CEE Socket IP67 4 pcs.  
455.0000.5321.040



3x32A CEE Socket IP67 2 pcs.  
5x32A CEE Socket IP67 2 pcs.  
455.3321.5321.220

## Sample of Combination Boxes



ON/OFF Switch 1 pcs.  
Pako Switch 1pcs.



ON/OFF Switch 1 pcs.  
1x16A Schuko Socket IP44 4 pcs.



3x32A CEE Socket IP44 1 pcs.  
1x16A Schuko Socket IP44 1 pcs.



Fuse 1 pcs.  
ON/OFF Switch 1 pcs.  
3x16A CEE Socket IP44 1pcs.  
1x16A Schuko Socket IP44 1 pcs.



5x16A CEE Socket IP44 2 pcs.  
1x16A Schuko Socket IP44 2 pcs.



Pako Switch 2 pcs.  
1x16A Schuko Socket IP44 4 pcs.



3x32A CEE Socket IP44 2 pcs.  
1x16A Schuko Socket IP44 4 pcs.



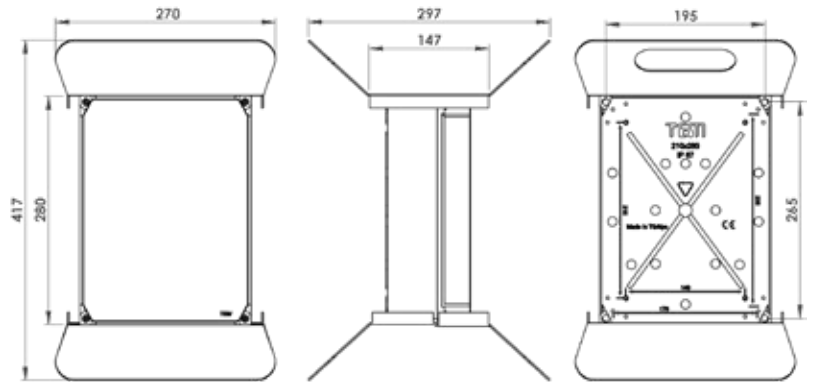
3x16A CEE Socket IP44 2 pcs.  
5x16A CEE Socket IP44 2 pcs.  
1x16A Schuko Socket IP44 3 pcs.



5x16A CEE Socket IP67 2 pcs.  
5x63A CEE Socket IP67 2 pcs.  
1x16A Schuko Socket IP44 4 pcs.



# Combination Boxes Accessories



21x28x10 Combination Box

**455.4321.5321.220**  
**740.030.100**  
**740.020.100**

4x32A CEE Socket IP67 2pcs.  
 5x32A CEE Socket IP67 2pcs.



21x28x13 Combination Box

**452.0000.5160.022**  
**740.030.100**  
**740.020.100**

5x16A CEE Socket IP44 2pcs.  
 1x16A Schuko Socket IP44 2pcs.



21x28x10 Enclosure

**300.100.500.516.024**  
**740.030.100**  
**740.020.100**

5x16A CEE Socket IP44 2pcs.  
 1x16A Schuko Socket IP44 4pcs.



21x28x13 Enclosure

**400.135.600.5321.5631.224**  
**740.030.100**  
**740.010.100**

5x16A CEE Socket IP67 2pcs.  
 5x63A CEE Socket IP67 2pcs.  
 1x16A Schuko Socket IP44 4pcs.



# Combination Boxes Accessories



## 30x60 POD-FEET

Ref Code: 740.022.001

310 x 610 x 330 mm  
12.2 x 24.4 x 13 inch

for the products below:  
21x28 - 26x35 Combination Boxes  
21x28 - 26x35 Thermoplastic Enclosures  
26x35 Distribution Boards

452.0000.3160.022  
740.022.001  
21x28x13 Box



455.4321.5321.220  
740.022.001  
21x28x10 Box



451.0000.4160.028  
740.022.001  
26x35x14 Box



461.0000.4160.028  
740.022.001  
26x35x12 Box



300.100.500.3320.024  
740.022.001  
21x28x10 Enclosure



400.135.600.5321.5631.224  
740.022.001  
21x28x14 Enclosure



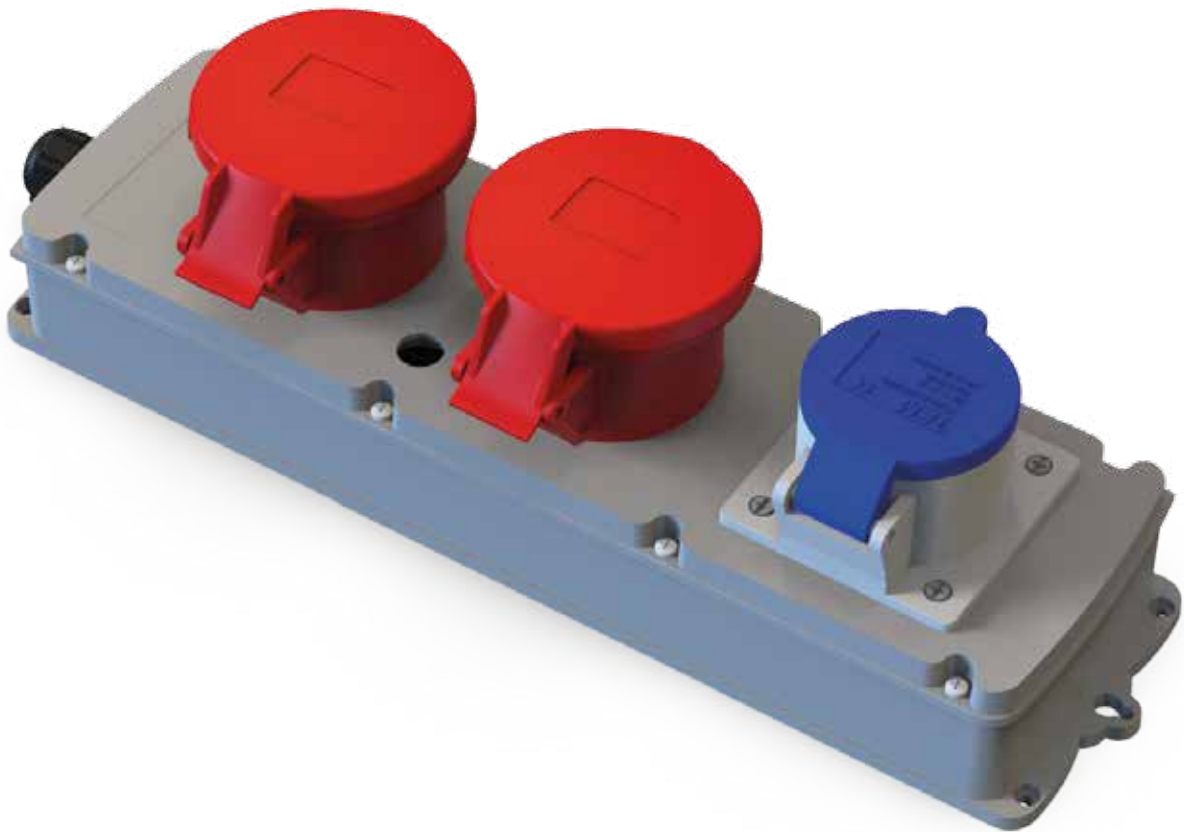
300.115.500.3160.4320.223  
740.022.001  
26x35x12 Enclosure



400.155.600.3321.4321.223  
740.022.001  
26x35x15 Enclosure

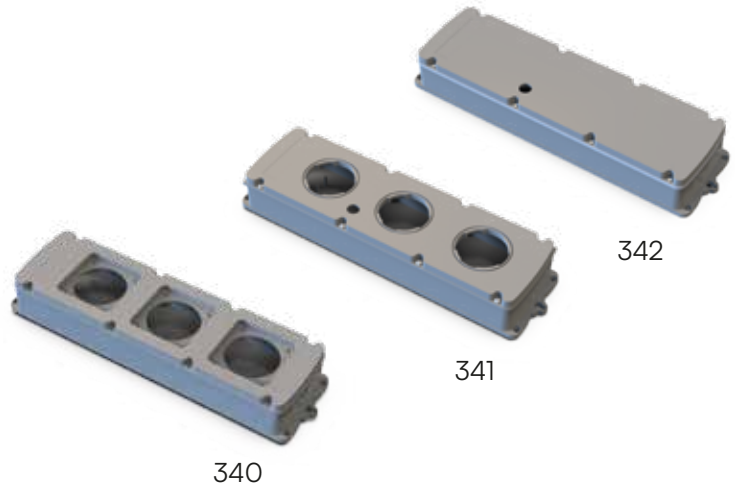
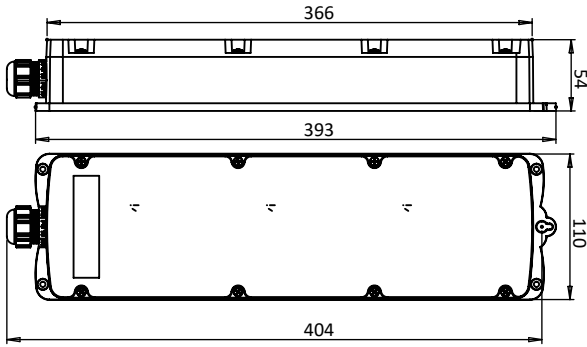


## MBox



- Heat resistance level is V2.
- It qualified by IEC 60309-1 and IEC 60695-2-1 standards.
- Installation temperature in minimum is -25 °C and in maximum is +60 °C.

# Mbox



IP44	Descriptions	
341	Empty Mbox IP54	1
341.364.30	3 Pcs. 3x16A CEE IP54	1
341.324.30	3 Pcs. 3x32A CEE IP54	1
341.464.30	3 Pcs. 4x16A CEE IP54	1
341.424.30	3 Pcs. 4x32A CEE IP54	1
341.564.30	3 Pcs. 5x16A CEE IP54	1
341.524.30	3 Pcs. 5x32A CEE IP54	1
341.524.164.210	2 Pcs. 5x32A CEE IP54 + 1 Pcs. 1x16A Machine Socket	1
341.524.164.120	1 Pcs. 5x32A CEE IP54 + 2 Pcs. 1x16A Machine Socket	1
341.524.564.164.1110	1 Pcs. 5x32A CEE IP54 + 1 Pcs. 5x16A CEE IP54 + 1 Pcs. 1x16A Machine Socket	1
341.215.311.60	6 Pcs. Schuko Panel socket	1
341.215.321.60	6 Pcs. UPS Panel socket	1

IP44	Descriptions	
361	Empty Mbox IP54	1
361.324.30	3 Pcs 3x32A CEE IP67	1
361.464.30	3 Pcs 4x16A CEE IP67	1
361.424.30	3 Pcs 4x32A CEE IP67	1
361.564.30	3 Pcs 5x16A CEE IP67	1
361.524.30	3 Pcs 5x32A CEE IP67	1
361.524.164.210	2 Pcs 5x32A CEE IP67 + 1 Pcs 1x16A Machine Socket	1
361.524.164.120	1 Pcs 5x32A CEE IP67 + 2 Pcs 1x16A Machine Socket	1
361.524.564.164.1110	1 Pcs 5x32A CEE IP67 + 1 Pcs 5x16A CEE IP67 + 1 Pcs 1x16A IP67 Machine Socket	1



341.524.164.210



341.524.164.120



361.524.30



361.524.164.210

## Cable Reels



- Cable reels provide you with great convenience in work areas where the power line is not nearby. With wide mouth cover can be opened 210° to left and right.
- It is produced specially for your request with cable options up to 180 meters long and socket options in various variants.

## M150 Cable Reels

### Cable Reels - No Cables

### Code

### Description



150.000.04

4(1x16A) Schuko

10



150.000.04.T

4(1x16A) Schuko+ Thermal Switch

10

## M100 Cable Reels

### Cable Reels with Signal Led - No Cable

### Code

### Description



100.000.004

4(1x16A) Schuko

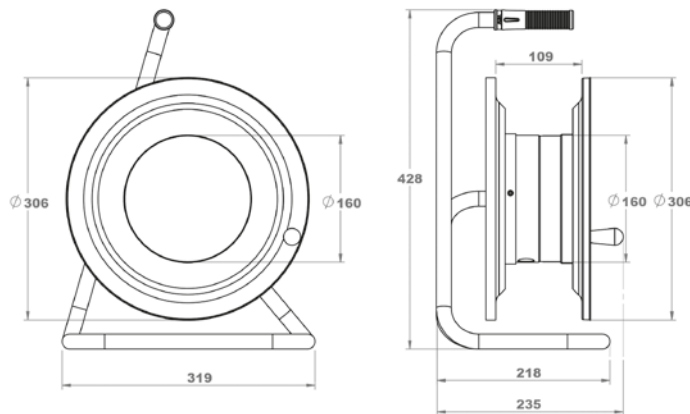
10



100.000.004.T

4(1x16A) chuko+ Thermal Switch


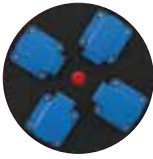

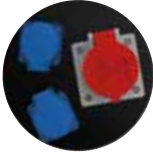

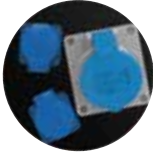

10



Makara Cinsi	Kablo Kesiti	3x1,5 TTR	3x2,5 TTR	3x4 TTR	4x1,5 TTR	4x2,5 TTR	4x4 TTR	5x1,5 TTR	5x2,5 TTR	5x4 TTR
M100		50	40	30	-	-	-	-	-	-
M120		100	75	60	80	65	45	75	50	40
M150		60	50	40	-	-	-	-	-	-

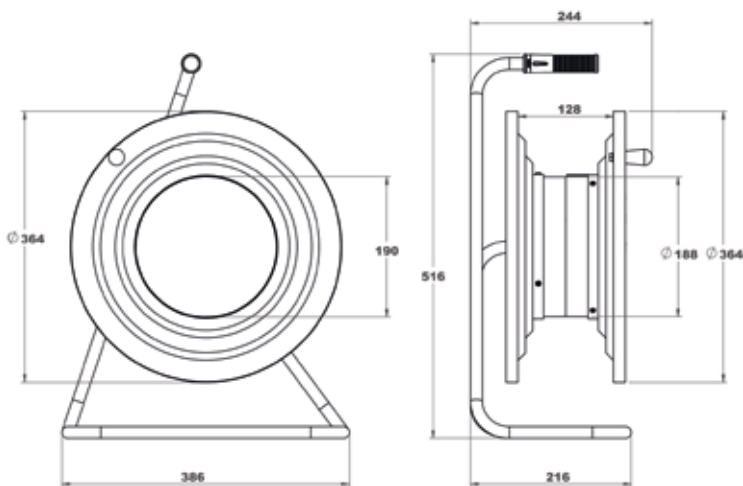
# M120 Cable Reels

## M120 Metal Body

<b>Code</b>	12X.000.004	12X.000.004.T	12X.000.004E	12X.316.012	12X.416.012
<b>Cable Reel - Model</b>					
<b>Description</b>	4(1x16A) Schuko + Signal	4(1x16A) Schuko + Signal + Thermal Switch	4(1x16A) Panel Socket + Signal	1(3x16A) CEE + 2(1x16A) Panel Socket	1(4x16A) CEE + 2(1x16A) Panel Socket
<b>Code</b>	12X.516.012	12X.425.012	12X.332.012	12X.432.012	12X.532.012
<b>Cable Reel - Model</b>					
<b>Description</b>	1(5x16A) CEE + 2(1x16A) Panel Socket	1(4x25A) CEE + 2(1x16A) Panel Socket	1(3x32A) CEE + 2(1x16A) Panel Socket	1(4x32A) CEE + 2(1x16A) Panel Socket	1(5x32A) CEE + 2(1x16A) Panel Socket

Cable Reel Type	Cable Length	3x1,5 TTR	3x2,5 TTR	3x4 TTR	4x1,5 TTR	4x2,5 TTR	4x4 TTR	5x1,5 TTR	5x2,5 TTR	5x4 TTR
M120		100	75	60	80	65	45	75	50	40

X = 0 0 Reel with Tube    X = 1 Reel with Cart    X = 2 Reel with Wheels



120.000.004.T



122.416.012



121.425.012

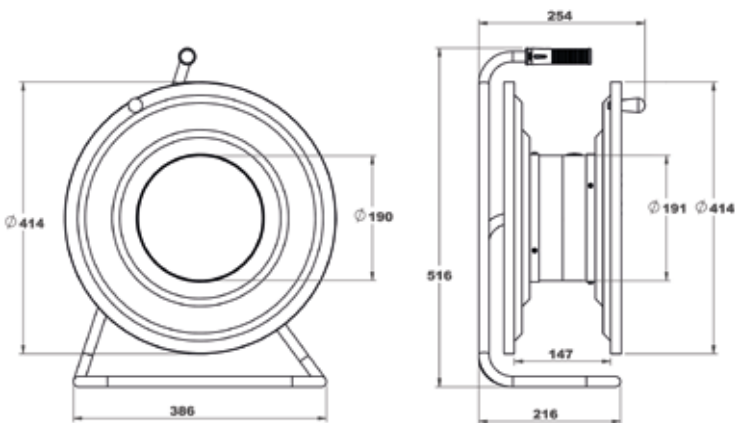
# M130 Cable Reels

## M130 Metal Body

<b>Code</b>	13X.000.004	13X.416.012	13X.416.021	13X.516.012	13X.516.021
<b>Cable Reel Model</b>					
<b>Description</b>	4(1x16A) Panel Socket + Signal	1(4x16A) CEE + 2(1x16A) Panel Socket	2(4x16A) CEE + 1(1x16A) Panel Socket	1(5x16A) CEE + 2(1x16A) Panel Socket	2(5x16A) CEE + 1(1x16A) Panel Socket
<b>Code</b>	13X.425.012	13X.425.021	13X.332.012	13X.432.012	13X.532.012
<b>Cable Reel Model</b>					
<b>Description</b>	1(4x25A) CEE + 2(1x16A) Panel Socket	2(4x25A) CEE + 1(1x16A) Panel Socket	1(3x32A) CEE + 2(1x16A) Panel Socket	1(4x32A) CEE + 2(1x16A) Panel Socket	1(5x32A) CEE + 2(1x16A) Panel Socket

Cable Reel Type \ Cable Length	3x1,5 TTR	3x2,5 TTR	3x4 TTR	4x1,5 TTR	4x2,5 TTR	4x4 TTR	5x1,5 TTR	5x2,5 TTR	5x4 TTR
<b>M130</b>	120	100	75	100	80	55	100	70	50






X = 0 0 Reel with Tube    X = 1 Reel with Cart    X = 2 Reel with Wheels





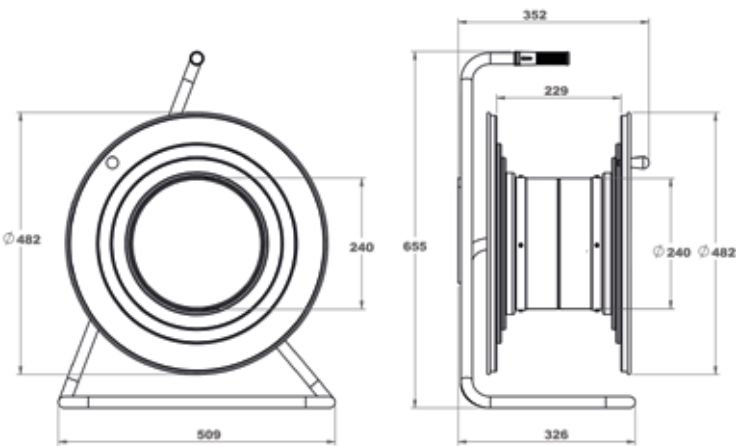
# M140 Cable Reels

## M140 Metal Body

<b>Code</b>	14X.416.022	14X.516.022	14X.425.022	14X.432.022	14X.532.022
<b>Cable Reel Model</b>					
<b>Description</b>	2(4x16A) CEE + 2(1x16A) Panel Socket	2(5x16A) CEE + 2(1x16A) Panel Socket	2(4x25A) CEE + 2(1x16A) Panel Socket	2(4x32A) CEE + 2(1x16A) Panel Socket	2(5x32A) CEE + 2(1x16A) Panel Socket

Cable Reel Type	Cable Length	3x1,5 TTR	3x2,5 TTR	3x4 TTR	4x1,5 TTR	4x2,5 TTR	4x4 TTR	5x1,5 TTR	5x2,5 TTR	5x4 TTR
M100	50	40	30	-	-	-	-	-	-	-
M120	100	75	60	80	65	45	75	50	40	
M130	120	100	75	100	80	55	100	70	50	
M140	180	140	125	170	130	100	135	110	90	
M150	60	50	40	-	-	-	-	-	-	-
M160	60	50	40	50	35	25	-	-	-	-

X = 0 0 Reel with Tube    X = 1 Reel with Cart    X = 2 Reel with Wheels



Wheeled Cable Reels



M 120 Wheeled Cable Reel



M 130 Wheeled Cable Reel

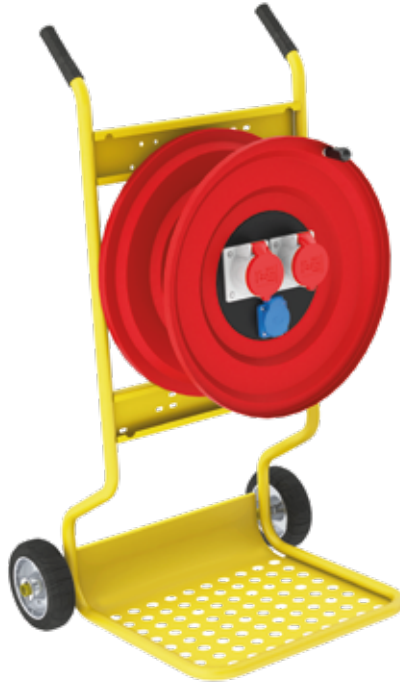


M 140 Wheeled Cable Reel

Wheeled Cable Reels



M 120 Cable Reel with Car

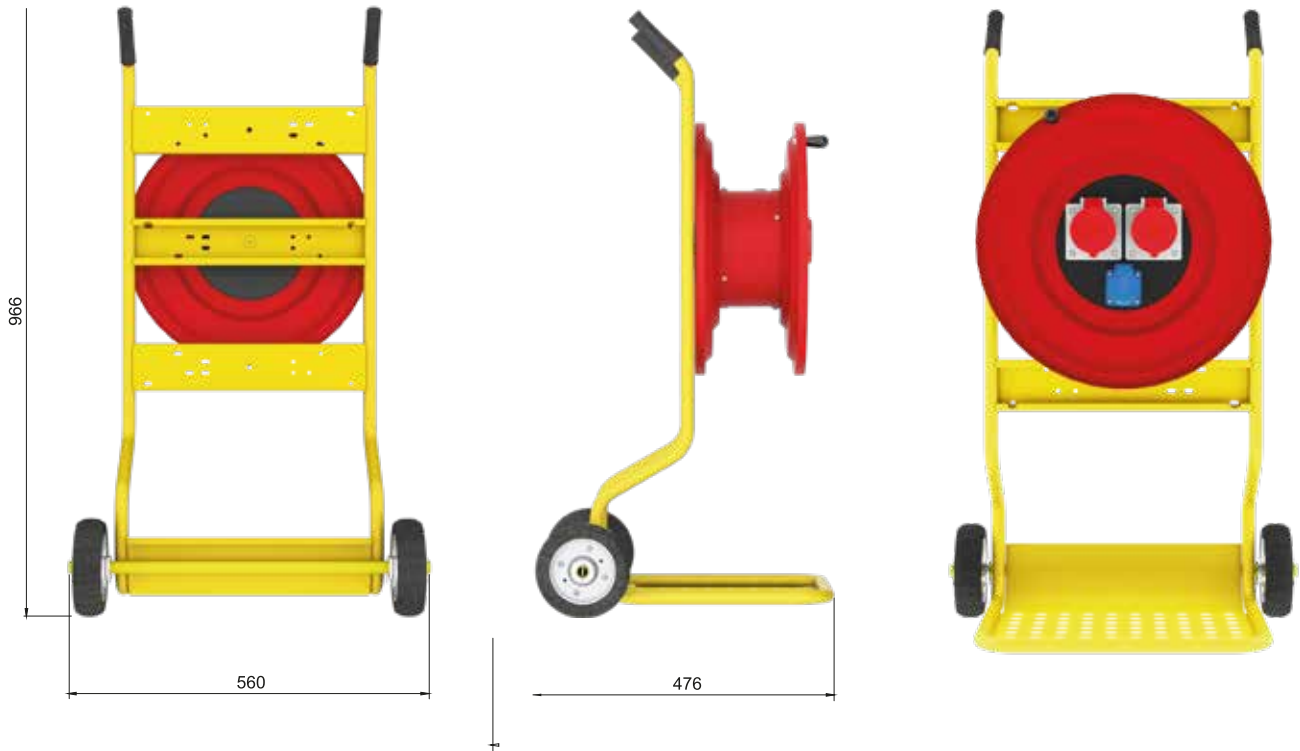


M 130 Cable Reel with Car



M 140 Cable Reel with Car

## Cable Reels with Car



## Wheeled Cable Reels

It is possible to mount different type of Distribution Boards or Combination boxes on the back side of the cart.



Cable Reels with Car & Combination Box



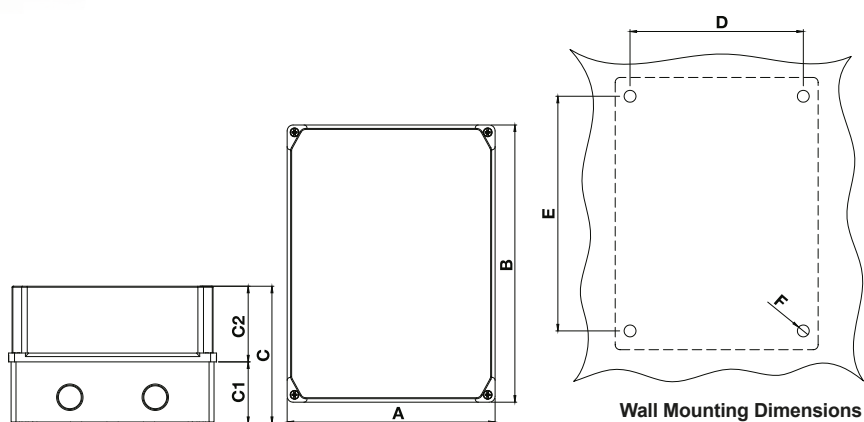
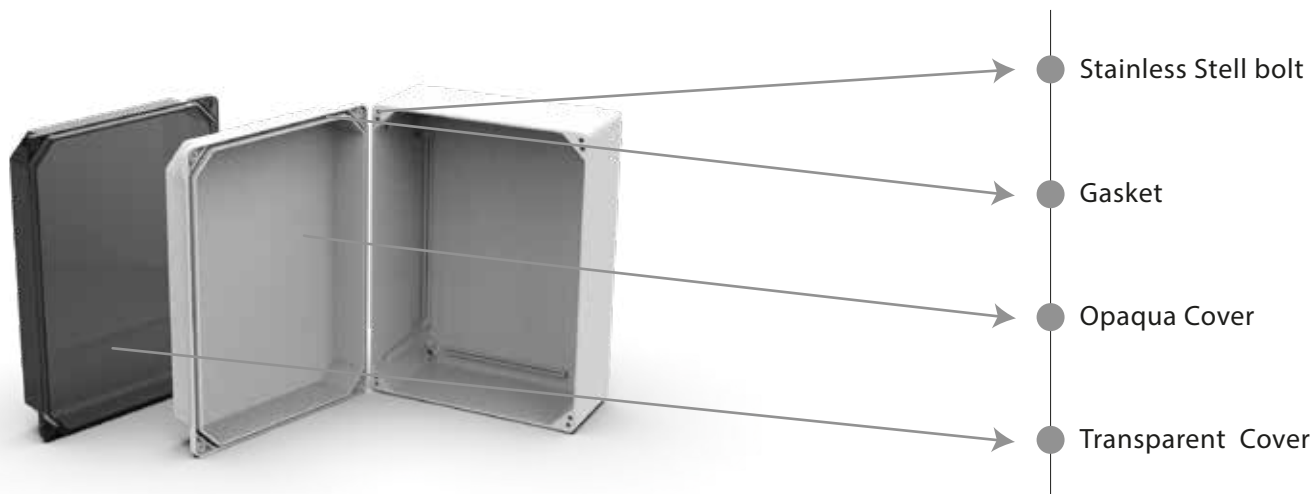
Cable Reels with Car & Distribution Board

## Thermoplastic Enclosures



- Heat resistance level is V2.
- It qualified by IEC 60309-1 and IEC 60695-2-1 standards.
- Installation temperature in minimum is -25 °C and in maximum is +60 °C.



# Thermoplastic Enclosures



Opaque Cover	Transparent Cover	A	B	C	C1	C2	A	B	C	D	E	F
367.041.101	367.041.102	85	85	41	40,5	6	80	80	42	55	-	10
367.055.201	367.055.202	95	95	55	49,5	5,5	86,5	86,5	49	99	-	4
367.073.301	367.073.302	113	113	120	58	67	109	109	119	78	78	12
367.120.301	367.120.302	113	113	73	58	18	108,5	108,5	70	78	78	12
367.073.401	367.073.402	113	210	73	58	18	108,5	205	70	78	174	12
367.120.401	367.120.402	113	210	120	55	70	108,5	205	120	78	174	12
367.085.421	367.085.422	130	245	85	62	22	125	240	77,5	85	195	12
367.140.421	367.140.422	130	245	140	62	78	125	240	132,5	85	195	12
367.100.501	367.100.502	210	280	100	62	41	200	270	97	175	237	12
367.135.601	367.135.602	210	280	135	62	76,5	200	270	129,5	175	237	12
367.115.501	367.115.502	260	350	115	74	48	253	343	115	198	318	12
367.145.601	367.145.602	260	350	155	74	83	253	343	150	198	318	12
367.155.601	367.155.602	265	355	153	105	48	253	343	146	198	318	12
367.185.601	367.185.602	265	355	186	103	83	253	343	179	198	318	12

# Thermoplastic Enclosures

## Opaque Cover

IP44	IP67	External Dimension		 gr.
344.041.101	367.041.101	85x85x41	24	71
344.055.201	367.055.201	95x55x55	6	00
344.073.301	367.073.301	113x113x120	6	177
344.120.301	367.120.301	113x113x73	12	157
344.073.401	367.073.401	113x210x73	6	272
344.120.401	367.120.401	117x210x120	3	354
344.085.421	367.085.421	130x245x85	2	368
344.140.421	367.140.421	130x245x140	2	458
344.100.501	367.100.501	210x280x100	1	719
344.135.601	367.135.601	210x280x135	1	861
344.115.501	367.115.501	260x350x115	1	1102
344.145.601	367.145.601	260x350x155	1	1192
344.155.601	367.155.601	265x355x153	1	1180
344.185.601	367.185.601	265x355x186	1	1270





367.073.300



344.135.600

## Transparent Cover

IP44	IP67	External Dimension		 gr.
344.055.202	367.055.202	95x55x55	6	00
344.073.302	367.073.302	113x113x120	6	188
344.120.302	367.120.302	113x113x73	12	168
344.073.402	367.073.402	113x210x73	6	276
344.120.402	367.120.402	117x210x120	3	379
344.085.422	367.085.422	130x245x85	2	000
344.140.422	367.140.422	130x245x140	2	487
344.100.502	367.100.502	210x280x100	1	758
344.135.602	367.135.602	210x280x135	1	895
344.115.502	367.115.502	260x350x115	1	1182
344.145.602	367.145.602	260x350x155	1	1287
344.155.602	367.155.602	265x355x153	1	1260
344.185.602	367.185.602	265x355x186	1	1365



344.100.502



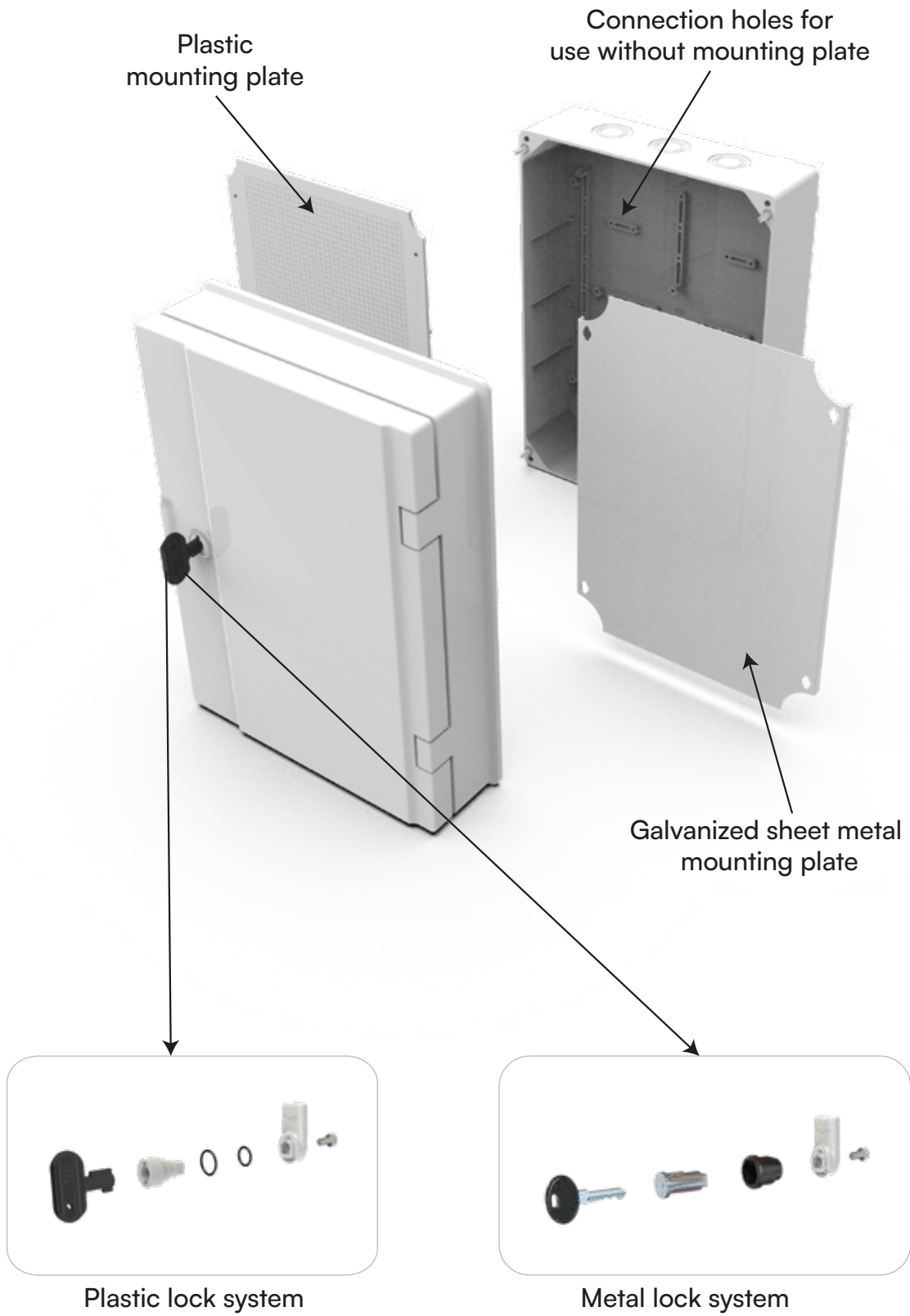
344.135.602

## Distribution Boards



- Ease of carrying and fitting due to his lightness comparing to metal enclosures.
- With wide mouth cover can be opened 210° to left and right.
- Temperature of use: -25 ... +60° C
- Compared to Metal Enclosures it is easier to drill. Once drilled, paint is not damaged and
- corrosion does not occur.
- Naturally insulated against electric leakage.
- Halogen-Free
- IP65

# Distribution Boards





# Distribution Boards

## Depth Dimension



Hanger with horizontal and vertical options



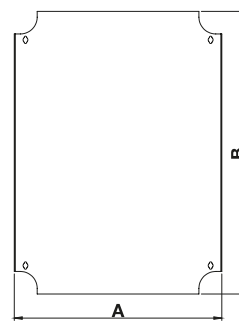
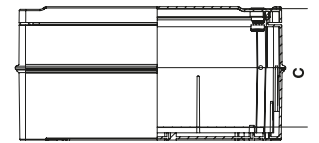
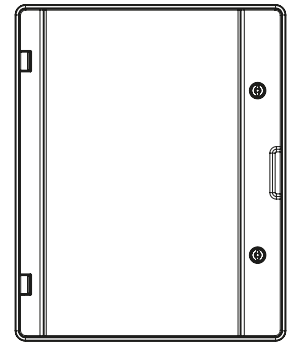
Foamed door sealing gasket



Brass nut on the body



Easiness of mounting plate fitting





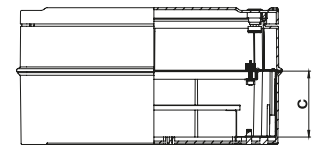
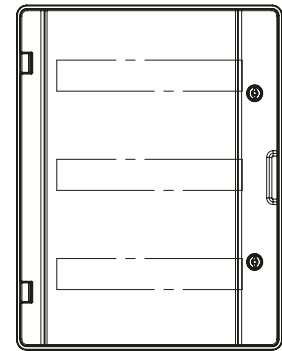
Plastic Base Plate

**Ref. Code Description**

**A - B** Plastic Base Plate external dimentions



**C** distance between the cover and the metal plate

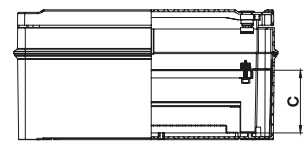
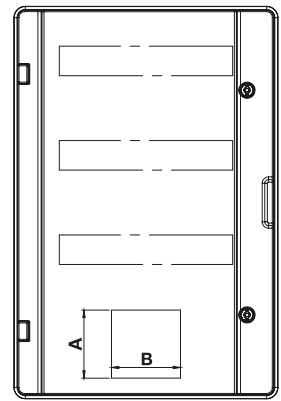
Dimentions cm	Opaque Cover	Transparent Cover	Plate Dimentions (mm)				 gr.
			A	B	C		
21x30x13	910.2130.131.000	910.2130.132.000	175	270	120	20	1382
26x35x15	910.2635.151.000	910.2635.152.000	227	315	130	12	1986
26x35x18	910.2635.181.000	910.2635.182.000	227	315	159	12	1821
30x40x13	910.3040.131.000	910.3040.132.000	270	360	111	10	2434
30x40x17	910.3040.171.000	910.3040.172.000	270	360	152	8	2647
30x40x19	910.3040.191.000	910.3040.192.000	270	360	176	8	2707
30x40x23	910.3040.231.000	910.3040.232.000	270	360	214	8	2907
40x50x20	910.4050.201.000	910.4050.202.000	348	470	180	6	4604
40x60x20	910.4060.201.000	910.4060.202.000	350	560	179	6	5151
50x70x25	910.5070.251.000	910.5070.252.000	440	668	230	4	9774



**Ref. Code Description**

**C** distance between the cover and the metal plate

Dimensions cm	Opaque Cover	Transparent Cover	Description	c		 gr.
21x30x13	920.2130.131.016	920.2130.132.016	2x8 MCB	52	20	1715
26x35x15	920.2635.151.018	920.2635.152.018	2x9 MCB	53	12	2418
30x40x13	920.3040.131.024	920.3040.132.024	3x8 MCB	75	10	3451
30x40x17	920.3040.171.024	920.3040.174.024	3x16 MCB	75	8	2664
40x50x20	920.4050.201.048	920.4050.202.048	3x16 MCB	90	6	5885
40x60x20	920.4060.201.064	920.4060.202.064	4x16 MCB	90	6	6791
50x70x25	920.5070.251.100	920.5070.252.100	5x20 MCB	98	4	1239

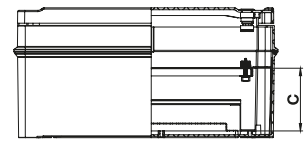
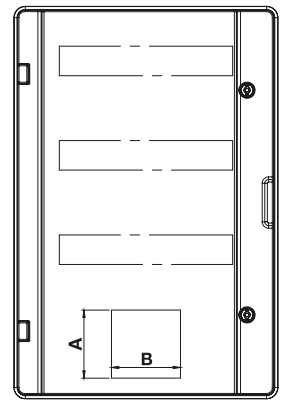


**Ref. Code Description**

**A - B** Dimention( high - width ) of hole of Switch

**C** distance between the mounting grills and the cover plate



Dimentions cm	Opaque Cover	Transparent Cover	Description	A	B	C		gr.
40x50x20	922.4050.201.032	922.4050.202.032	2 x 16 MCB + 1 pcs MCCB	105	105	90	6	5941
40x60x20	922.4060.201.048	922.4060.202.048	3 x 16 MCB + 1 pcs MCCB	105	105	90	6	6789
50x70x25	922.5070.251.080	922.5070.252.080	4 x 20 MCB + 1 pcs MCCB	105	105	98	4	11243

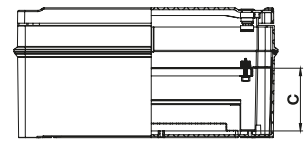
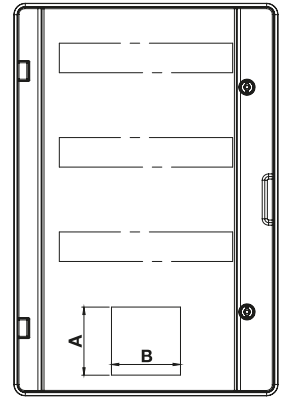


**Ref. Code Description**

**A - B** Dimention( hight - width ) of hole of Switch

**C** distance between the mounting grills and the cover plate



Dimentions cm	Opaque Cover	Transparent Cover	Description	A	B	C		 gr.
26x35x15	923.2635.151.000	923.2635.152.000	1 pcs MCCB	100	100	79	12	1517
30x40x17	923.3040.171.000	923.3040.172.000	1 pcs MCCB	100	100	90	8	2070
40x50x20	923.4050.201.000	923.4050.202.000	1 pcs MCCB	100	100	80	6	3588

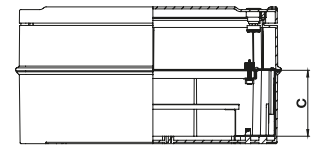
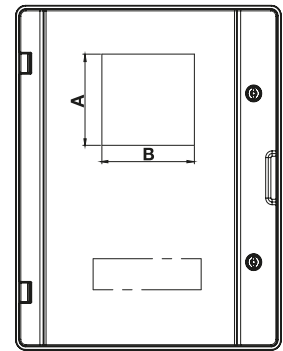


**Ref. Code Description**

**A - B** Dimention( hight - width ) of hole of Switch

**C** distance between the mounting grills and the cover plate

Dimentions cm	Opaque Cover	Transparent Cover	Description	A	B	C		 gr.
21x30x13	930.2130.131.003	930.2130.132.003	3 pcs MCB + 1 pcs Energy Meter	92	92	52	20	2422
26x35x15	930.2635.151.003	930.2635.152.003	3 pcs MCB + 1 pcs Energy Meter	100	92	53	12	2450
30x40x13	931.3040.131.013	931.3040.132.013	13 pcs MCB + 1 pcs Energy Meter	135	85	75	10	3384
30x40x17	931.3040.171.013	931.3040.172.013	13 pcs MCB + 1 pcs Energy Meter	135	85	75	8	3597
40x50x20	931.4050.201.224	931.4050.202.224	24 pcs MCB + 2 pcs Energy Meter	95	95	90	6	6718

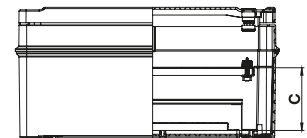
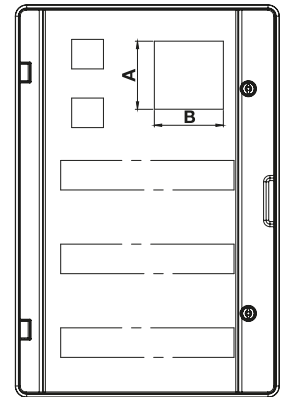


**Ref. Code Description**

**A - B** Dimention( high - width ) of hole of Energy Meter

**C** distance between the mounting grills and the cover plate



Dimentions cm	Opaque Cover	Transparent Cover	Description	A	B	C		
21x30x13	935.3040.131.010	935.3040.132.010	3 pcs MCB + 1 pcs Energy Meter	180	155	75	10	3065
30x40x17	935.3040.171.010	935.3040.172.010	3 pcs MCB + 1 pcs Energy Meter	180	155	75	8	3278
40x50x20	935.4050.201.008	935.4050.202.008	13 pcs MCB + 1 pcs Energy Meter	125	125	90	6	6101
40x60x20	935.4060.201.008	935.4060.202.008	13 pcs MCB + 1 pcs Energy Meter	125	125	90	6	6850
50x70x25	935.5070.251.010	935.5070.252.010	24 pcs MCB + 2 pcs Energy Meter	125	125	98	4	11174



**Ref. Code**   **Description**

**A - B**      Dimention( hight - width ) of hole of Energy Meter

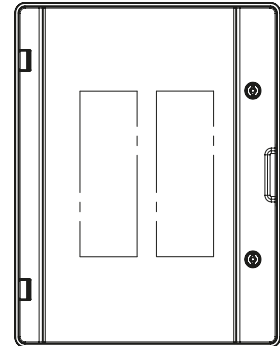
**C**            distance between the mounting grills and the cover plate

Dimention cm	Opaque Cover	Transparent Cover	Description	A	B	C		 gr.
40x50x20	936.4050.201.024	936.4050.202.024	24 pcs MCB + 1 pcs Energy Meter	125	125	90	6	6132
40x50x20	936.4050.201.112	936.4050.202.112	24 pcs MCB + 1 pcs Energy Meter + Rubber Sockets	125	125	90	6	6496
40x60x20	936.4060.201.040	936.4060.202.040	40 pcs MCB + 1 pcs Energy Meter	125	125	90	6	7090
50x70x25	936.5070.251.068	936.5070.252.068	68 pcs MCB + 1 pcs Energy Meter	125	125	98	4	11693



# Distribution Boards



# Telephone Modules

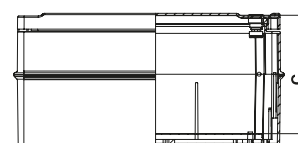
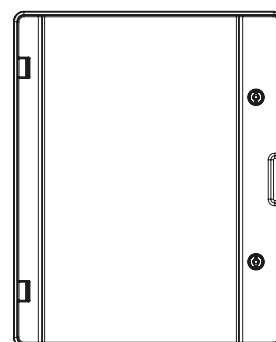


**Ref. Code**   **Description**

**A**            Number of chassis for module



**B**            Total capacity of module

Dimensions cm	Opaque Cover	Transparent Cover	Description	A	B		 gr.		
21x30x13	XXX.2130.131.030	XXX.2130.132.030	Chasis + 30 Modules	1	3	20	1104	1164	1326
26x35x15	XXX.2635.151.050	XXX.2635.152.050	Chasis + 50 Modules	1	5	12	1517	1617	1887
30x40x13	XXX.3040.131.100	XXX.3040.132.100	Chasis + 100 Modules	1	10	10	1857	2020	2560
30x40x17	XXX.3040.171.100	XXX.3040.172.100	Chasis + 100 Modules	1	10	8	2070	2233	2773
40x50x20	XXX.4050.201.150	XXX.4050.202.150	Chasis + 150 Modules	1	30	6	3588	3987	4797
40x50x20	XXX.4050.201.200	XXX.4050.202.200	Chasis + 200 Modules	2	30	6	3588	3914	14714
40x50x20	XXX.4050.201.300	XXX.4050.202.300	Chasis + 300 Modules	2	30	6	3588	4386	6006
40x60x20	XXX.4060.201.400	XXX.4060.202.400	Chasis + 400 Modules	2	40	6	3802	4860	7020
50x70x25	XXX.5070.251.500	XXX.5070.252.500	Chasis + 500 Modules	2	50	4	7208	8514	11214



**Ref. Code Description**

**C** distance between the mounting grills and the cover plate

Dimensions cm	Opaque Cover	Transparent Cover	Description	Dimension (mm)		 gr.
40x50x20	960.4050.201.000	960.4050.202.000	Signal + Voltmeter + Ammeter	180	6	4974
40x60x20	960.4060.201.000	960.4060.202.000	Signal + Voltmeter + Ammeter	179	6	5715
50x70x25	960.5070.251.000	960.5070.252.000	Signal + Voltmeter + Ammeter	230	6	9392

# Distribution Boards

# Elevator Panels

Dimentions cm	Opaque Cover	Description		 gr.
40x50x20	960.4050.201.000	1 5X40A Pako 1 2X25A 300 mA KAKR 1 4X40A 300 mA KAKR 3 Ø=22 Sinyal / Signal + 3 C1X16A Sigorta / MCB +	6	4974
40x60x20	960.4060.201.000	1 C4X40A Sigorta / MCB + 3 1X16A Şebeke Priz / Schuko Socket	6	5715



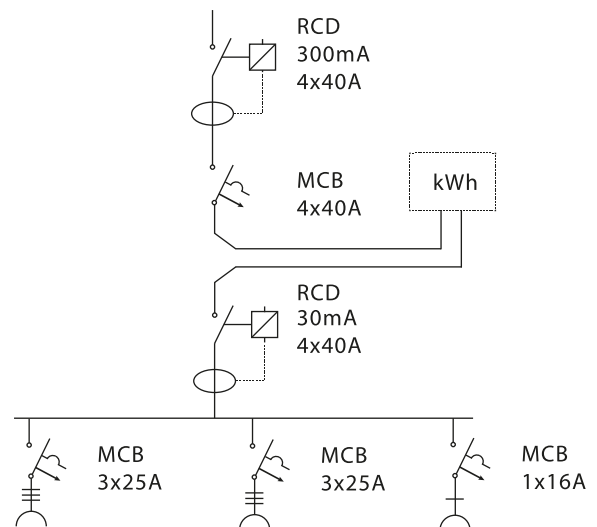
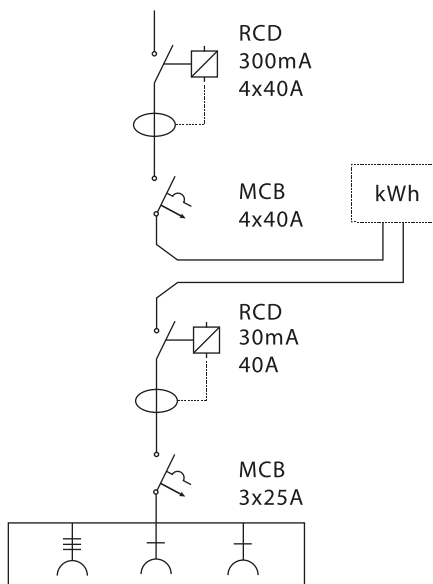
# Construction Site

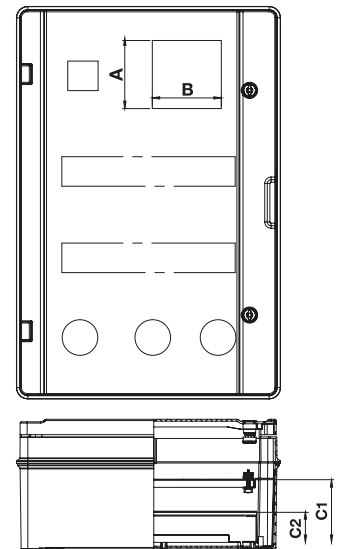


936.4050.201.112



965.4060.201.016





**Ref. Code Description**

**A-B** Dimention( high - width ) of hole of Energy Meter

**C1** distance between the MCB mounting grills and the cover plate

**C2** distance between the sockts mounting grills and the cover plate

Dimentions cm	Opaque Cover	Transparent Cover	Description	A	B	C1	C2		gr.
40x60x20	965.4060.201.024	965.4060.202.024	24 MCB +1 pcs Three Phase Energy Meter	125	125	90	82	6	6881
50x70x25	965.5070.251.048	965.5070.252.048	48 MCB +1 pcs Three Phase Energy Meter	125	125	98	41	4	11445
50x70x25	965.5070.251.028	965.5070.252.028	28 MCB +1 pcs Three Phase Energy Meter	125	125	98	41	4	9775
40x50x20	966.4050.201.032	966.4050.202.032	32 pcs MCB	-	-	90	85	6	5683
40x60x20	966.4060.201.048	966.4060.202.048	48 pcs MCB	-	-	90	82	6	6586
40x60x20	966.4060.201.032	966.4060.202.032	32 pcs MCB	-	-	90	82	6	6392
50x70x25	966.5070.251.060	966.5070.252.060	60 pcs MCB	-	-	98	41	4	10849





740.030.045



740.020.000

ürün deęiřti



Opaque Cover	Description		 gr.
740.020.000	Mounting Stand	1	790
740.030.026	Roof	1	450
740.030.030	Roof	1	605
740.030.045	Roof	1	1057
740.030.050	Roof	1	1530





740.011.000



740.010.001



Opaque Cover	Description		 gr.
740.010.001	Module with Section	100	54
740.020.002	Module without Section	100	54
740.011.026	Roofing - Singel	100	22



## POD-FEET

Ref Code: 740.022.001

310 x 610 x 330 mm

12.2 x 24.4 x 13 inch

for the products below:

- 21x28 - 26x35 Combination Boxes
- 21x28 - 26x35 Thermoplastic Enclosures
- 26x35 - 30x40 Distribution Boards



## POD-FEET

Ref Code: 740.022.002

510 x 1010 x 600 mm

20 x 39.7 x 23.6 inch

for the products below:

- 40x50 - 40x60 - 50x70 Dağıtım Panolar / Distribution Boards

30x40 Pano / Distribution Board

931.3040.172.013

740.022.001



40x50 Pano / Distribution Board

966.4050.201.032

740.022.002



40x60 Pano / Distribution Board

966.4060.201.048

740.022.002





# TEM

[www.temteknik.com](http://www.temteknik.com)

**TEM Teknik Elektrik Malzemeleri San ve Tic A.Ş**

**Headquarter:**

Ortaköy San. M.Menekse No:5 34582  
Silivri / İstanbul / TÜRKİYE

+90 212 485 19 00  
[info@temteknik.com](mailto:info@temteknik.com)  
[export@temteknik.com](mailto:export@temteknik.com)

**Plant Malkara**

Çavuşköy Ergenekon No:11 59300  
Malkara / Tekirdağ / TÜRKİYE