

Asansör Panoları Elevator Panels

Boyutlar Dimensions cm	Ref. Code	Açıklama Description		 gr.
26x35x15	960.2635.151.000	1 5X40A Pako 1 2X25A 300 mA KAKR 1 4X40A 300 mA KAKR 3 Ø=22 Sinyal / Signal + 3 C1X16A Sigorta / MCB +	1	0000
30x40x13	960.3040.131.000	1 C4X40A Sigorta / MCB + 3 1X16A Şebeke Priz / Schuko Socket	1	2667



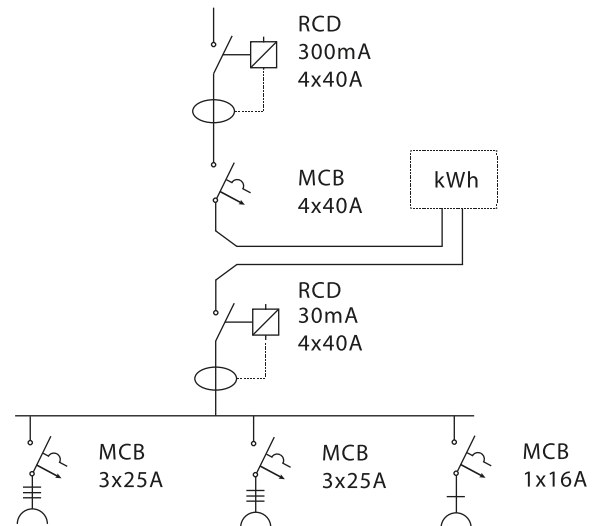
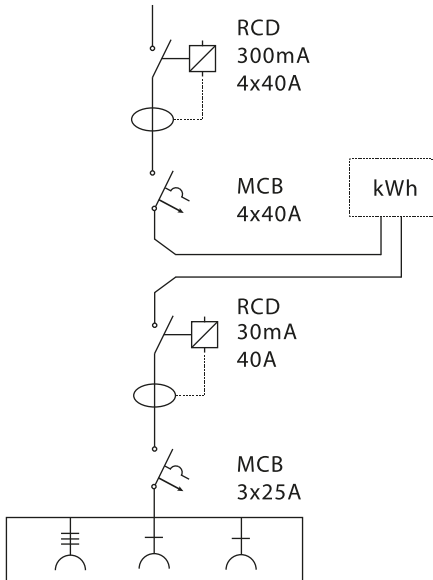
Şantiye Özel Panolar Distribution Board for Construction Site



936.4050.201.112

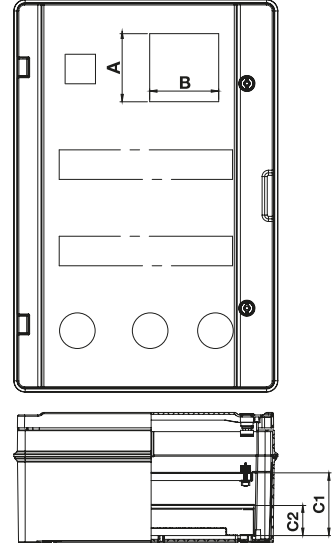


965.4060.201.016



Şantiye Panoları

Distribution Board for Construction Site



Ref. Code	Açıklama / Description
A - B	Sayaç deliği yüksekliği - genişliği ölçüsü Dimension(high - width) of hole of Energy Meter
C1	Sigorta izgara üst - pano sac alt arası mesafe distance between the MCB mounting grills and the cover plate
C2	Priz izgara üst - pano sac alt arası mesafe distance between the sockets mounting grills and the cover plate

Boyutlar Dimensions cm	Ref. Code		Açıklama Description	Perde Ölçüsü Dimension (mm)					
	Opak Kapak Opaque Cover	Şeffaf Kapak Transparent Cover		A	B	C1	C2		
40x60x20	965.4060.201.024	965.4060.202.024	24 Sigorta / MCB + 1 Trifaze Sayaç / Three Phase Energy Meter	125	125	90	82	6	6881
50x70x25	965.5070.251.048	965.5070.252.048	48 Sigorta / MCB + 1 Trifaze Sayaç / Three Phase Energy Meter	125	125	98	41	4	11445
50x70x25	965.5070.251.028	965.5070.252.028	28 Sigorta / MCB + 1 Trifaze Sayaç / Three Phase Energy Meter	125	125	98	41	4	9775
40x50x20	966.4050.201.032	966.4050.202.032	32 Sigorta / MCB	-	-	90	85	6	5683
40x60x20	966.4060.201.048	966.4060.202.048	48 Sigorta / MCB	-	-	90	82	6	6586
40x60x20	966.4060.201.032	966.4060.202.032	32 Sigorta / MCB	-	-	90	82	6	6392
50x70x25	966.5070.251.060	966.5070.252.060	60 Sigorta / MCB	-	-	98	41	4	10849